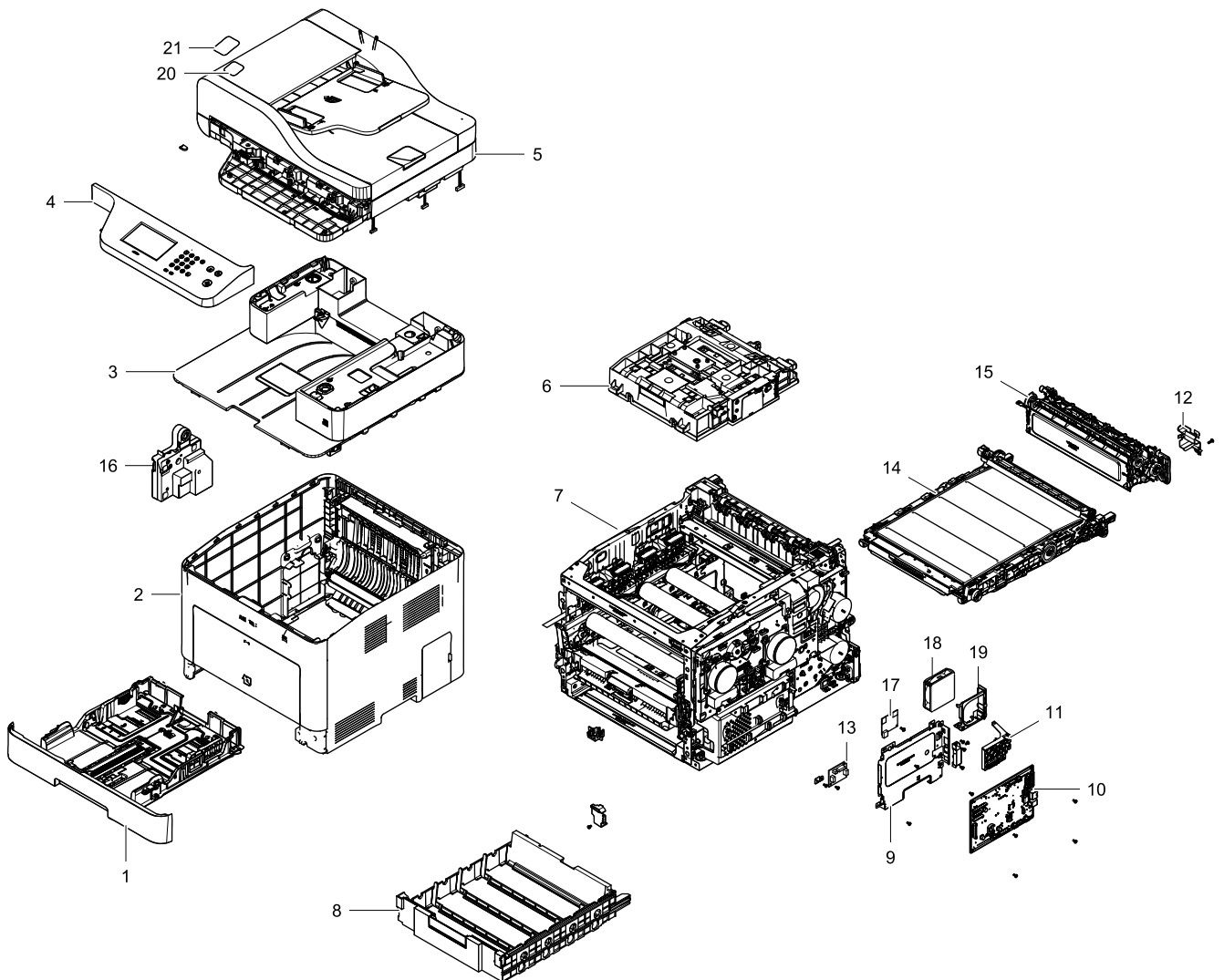


1. MAIN

Exploded View



Parts List

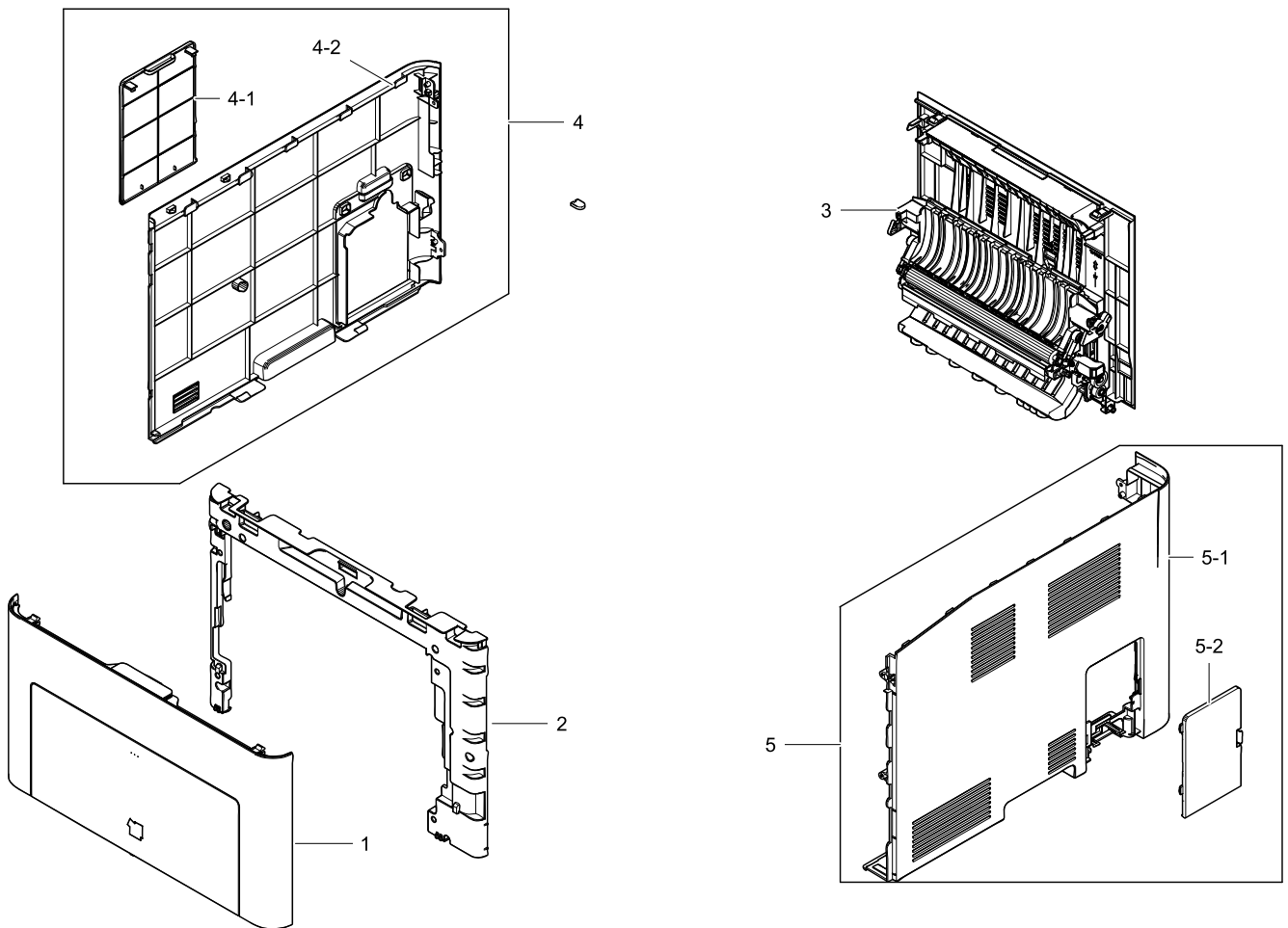
No.	Lvl.	Loc.	Material Code	Description & Specification	SNA	Qty.
1	1		JC90-01182A	CASSETTE; CLP-680ND	SA	1
2	1		JC95-01643A	COVER; CLX-6260ND,SEC	SNA	1
3	1		JC95-01737B	COVER-MIDDLE; CLX-6260FW,SEC	SA	1
4	1		JC95-01769M	OPE; SL-C2670FW,SEC	SA	1
5	1		JC97-04190A	SCANNER; CLX-6260FW	SNA	1
6	1		JC97-04082A	LSU; CLP-680ND,SEC,TANDEM,A4(Ltr),600,M3,	SA	1
7	1		JC93-00970B	FRAME; SL-C2620DW,SEC,SEE	SNA	1
8	2		JC93-00757A	FRAME-DRAWER; CLP-680ND,XAA	SA	1
9	2		JC61-05410A	BRACKET-MAIN_BOARD; CLP-680DW,EGI-SECC,0.	SNA	1

Exploded Views and Parts List

No.	Lvl.	Loc.	Material Code	Description & Specification	SNA	Qty.
10	2		JC92-02776A	PBA-MAIN; C2670,SEC,CHORUS3N,MAIN,SEC,180	SA	1
11	2		JC61-05520A	GUIDE-HARNESS SCAN; CLP-680DW,HIPS,110,HR	SNA	1
12	2		JC67-00647A	CAP-FUSER AC HARNESS; CLP-470NW,ABS,SR-03	SNA	1
13	2		JC92-02525A	PBA-HUB; CLX-6260FW,SEC,HUB,FR4,4L	SA	1
14	1		JC96-06514A	CARTRIDGE-TRANSFER; CLP-680ND,SEC	SA	1
15	1		JC91-01129A	FUSER; CLP-680ND,SEC,WORLD,220V	SA	1
16	1		JC96-06367A	CARTRIDGE-WTB; CLP-680ND	SA	1
17	2		JC92-02767A	PBA-WNPC; C2670,WISOL,Broadcom bcm43143,U	SA	1
18	2		JC31-00161A	FAN; Type7,24,170mA,0.949m ³ /mi	SA	1
19	2		JC67-00766A	DUCT-FAN UPPER; C2620,HIPS,1.5,90,90,HB,5	SNA	1
20	1		JC68-03012A	LABEL ETC-NFC TECTILE STICKER; EAD-X11,EU	SA	1
21	1		JC68-03048B	LABEL VER-INFORMATION; C460,SEC,Hologram,	SNA	1

2. COVER

Exploded View

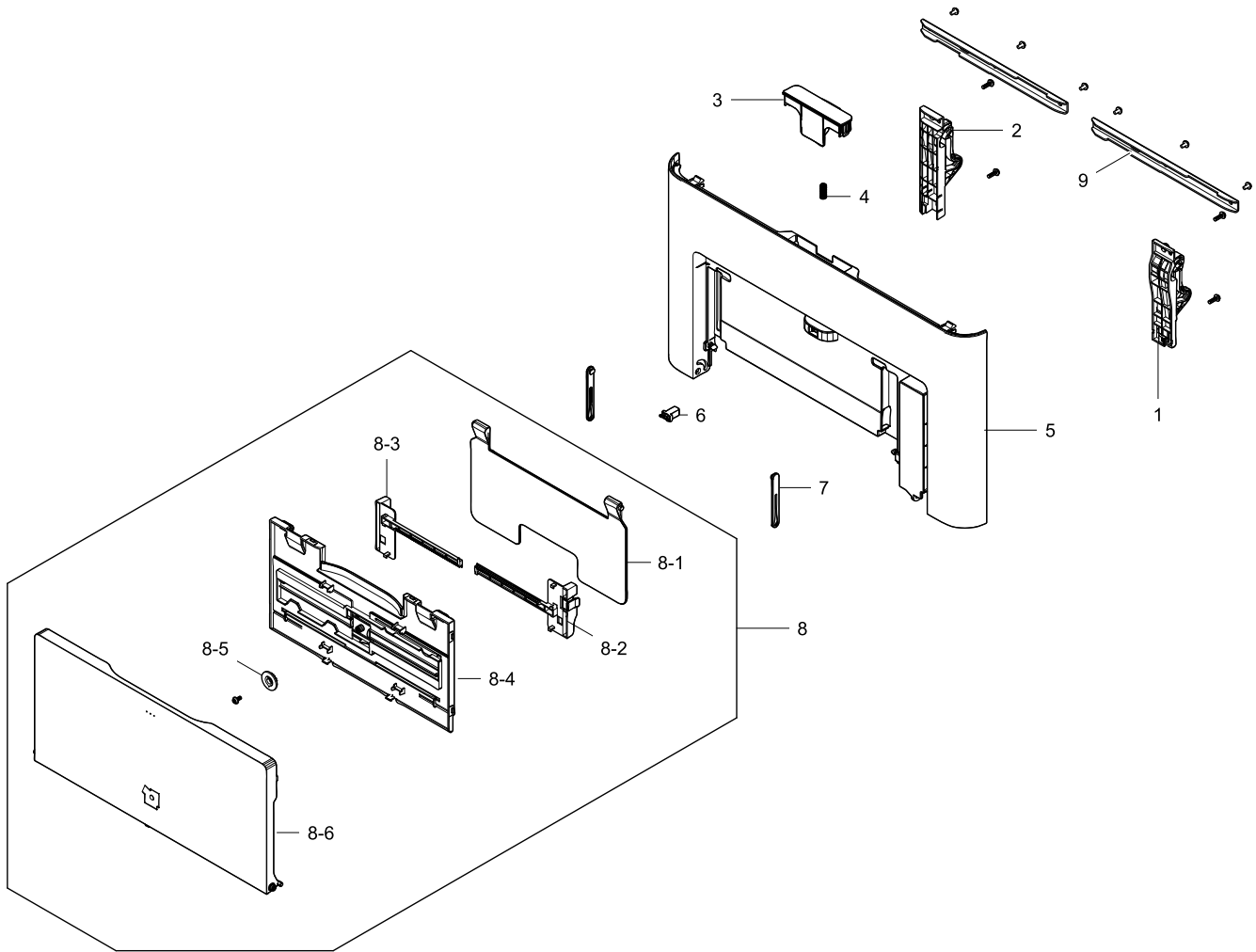


Parts List

No.	Lvl.	Loc.	Material Code	Description & Specification	SNA	Qty.
1	2		JC95-01691A	COVER-FRONT; CLX-6260ND,SEC	SA	1
2	2		JC63-03802A	COVER-FRONT INNER; CLP-680ND,HIPS,276,412	SNA	1
3	2		JC95-01657A	COVER-REAR; CLX-6260ND,SEC	SA	1
4	2		JC95-01661A	COVER-LEFT; CLX-6260ND,SEC	SA	1
4-1	3		JC63-03734A	COVER-WTB; CLP-680ND,HIPS,2.2t,160mm,110m	SNA	1
4-2	3		JC63-03744A	COVER-LEFT; CLX-6260ND,HIPS,2.2t,437mm,29	SNA	1
5	2		JC95-01665A	COVER-RIGHT; CLX-6260ND,SEC	SA	1
5-1	3		JC63-03743A	COVER-RIGHT; CLX-6260ND,HIPS,2.2t,384mm,3	SNA	1
5-2	3		JC63-03732A	COVER-DIMM; CLP-680ND,HIPS,2.2t,132mm,85m	SNA	1

2.1. COVER-FRONT

Exploded View



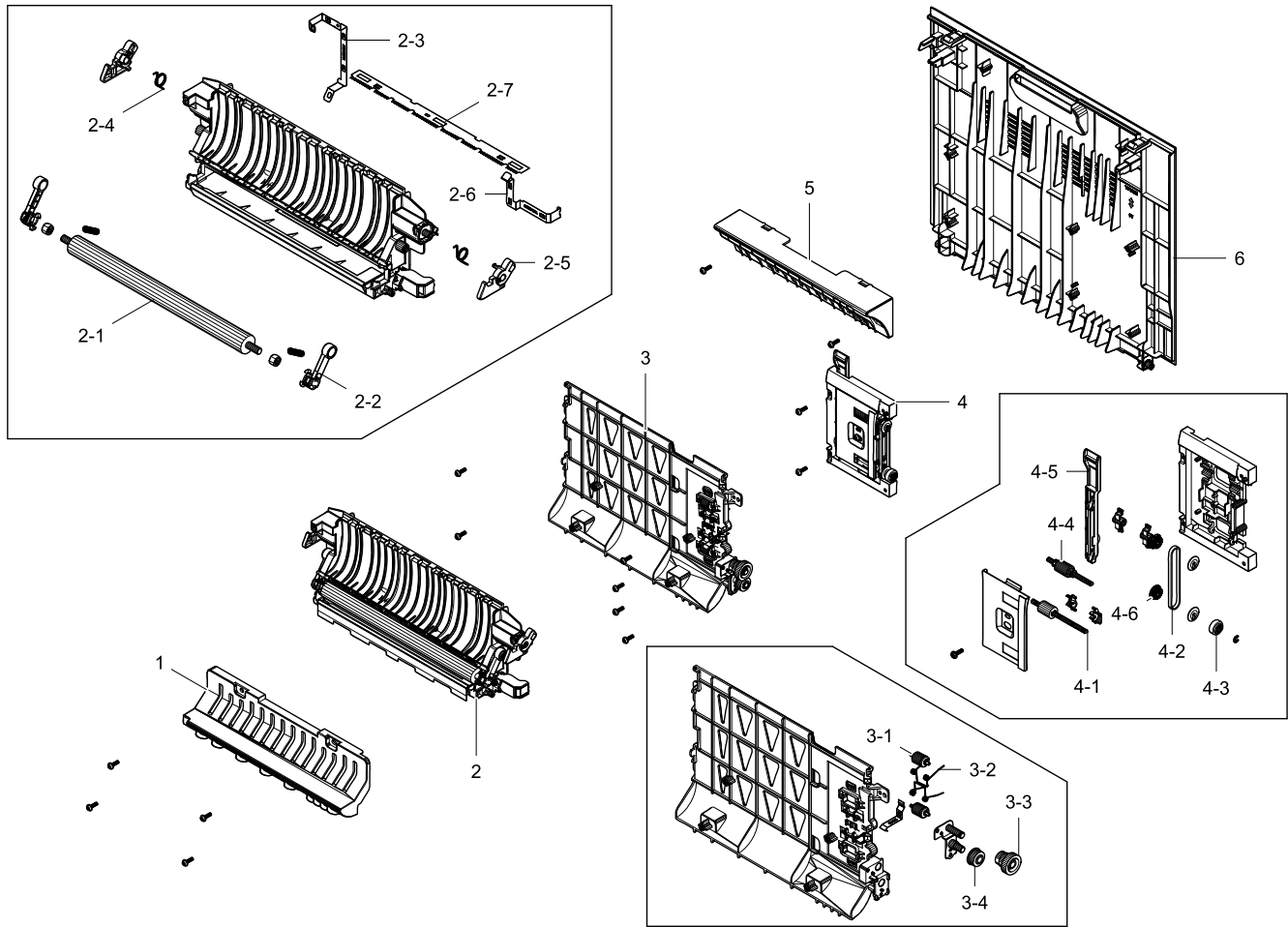
Parts List

No.	Lvl.	Loc.	Material Code	Description & Specification	SNA	Qty.
1	3		JC66-03640A	LINK-SUPPORT R; CLP-680ND,ABS,122mm,2.0t,	SNA	1
2	3		JC66-03639A	LINK-SUPPORT L; CLP-680ND,ABS,118mm,2.0t,	SNA	1
3	3		JC64-00832A	BUTTON-FRONT; CLX-6260ND,ABS,80,BLACK	SNA	1
4	3	G1550	6107-001404	SPRING-CS; SWPB, WHT,PI0.6,D6.3,L15.3,ID5.	SNA	1
5	3		JC63-03742A	COVER-FRONT; CLX-6260ND,HIPS,2.5t,378mm,2	SNA	1
6	3		JC64-00912A	LOCKER-LATCH_PUSH; SL-M4020ND,POM,BLACK,S	SA	1
7	3		JC66-02086D	LINK-COVER_MP; CLP-680ND,ABS,62.3,2,NAOTO	SNA	2
8	3		JC95-01651A	COVER-MP TRAY; CLX-6260FD,SEC	SA	1

No.	Lvl.	Loc.	Material Code	Description & Specification	SNA	Qty.
8-1	4		JC63-03706A	TRAY-EXTENSION MP; CLP-680ND,HIPS,2.0,GRA	SNA	1
8-2	4		JC70-00562D	ADJUST-MP_RIGHT; CLP-680ND,HIPS,120.2,57.	SNA	1
8-3	4		JC70-00561D	ADJUST-MP_LEFT; CLP-680ND,HIPS,119.2,57.4	SNA	1
8-4	4		JC63-02902C	TRAY-MP_LOWER; CLP-680ND,HIPS,2.5,129.57,	SNA	1
8-5	4	C3718	JC66-00387A	GEAR-RACK_PINION; ML-1710,POM,0.7,WHT	SNA	1
8-6	4		JC63-03730A	COVER-MP; CLP-680ND,HIPS,2.2t,290mm,148mm	SNA	1
9	3		JC61-05810A	BRACKET-FRONT; CLX-6260,EGI-SECC,1.2,8.3,	SNA	2

2.2. COVER-REAR

Exploded View



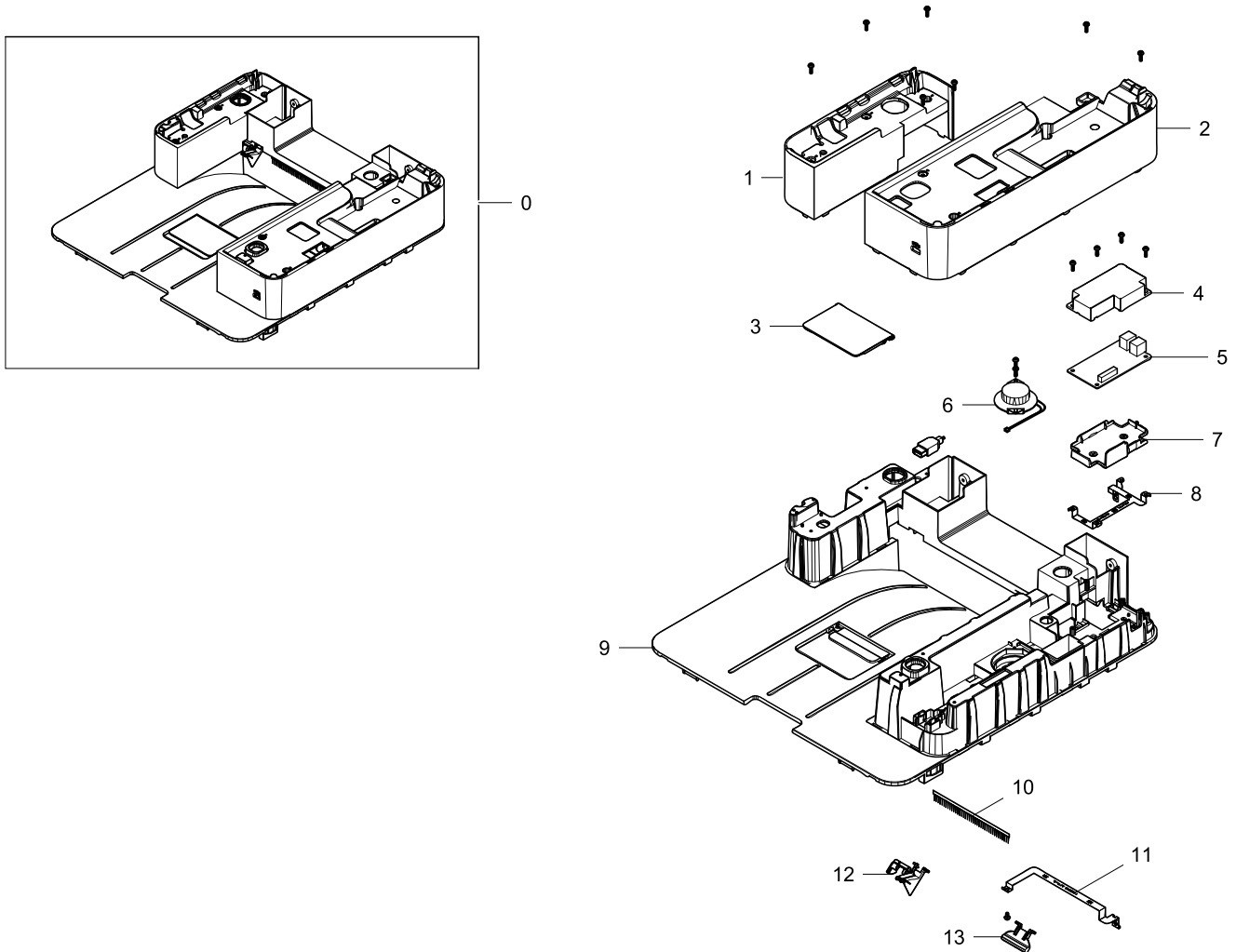
Parts List

No.	Lvl.	Loc.	Material Code	Description & Specification	SNA	Qty.
1	3		JC61-05421A	GUIDE-TRANSFER; CLP-680ND,HIPS,2T,235,63.	SNA	1
2	3		JC95-01638A	COVER-REAR TRANSFER; CLP-680ND	SA	1
2-1	4		JC66-03756A	ROLLER-TRANSFER2; Rousseau,18.0 (mm),NBR+	SA	1
2-2	4		JC61-05463A	HOLDER-T2; CLP-680ND,POM,10.4,32,BLACK,12	SNA	2
2-3	4		JC61-05471A	PLATE-BIAS-TRANSFER; CLP-680ND,STAINLESS-	SNA	1
2-4	4		6107-003201	SPRING-TS; SWP,0.9,11.2,10.3,3.125,LEFT,1	SNA	1
2-5	4		JC64-00803A	LOCKER-TRANSFER R; CLP-680ND,POM,WHITE,42	SNA	1
2-6	4		JC61-05472A	PLATE-GROUND TRANSFER2; CLP-680ND,STAINLE	SNA	1
2-7	4	D1171	JC70-10232A	IPR-PLATE SAW; ML-80,SUS304 CSP 1/2H,T0.1	SNA	1

No.	Lvl.	Loc.	Material Code	Description & Specification	SNA	Qty.
3	3		JC90-01204A	DUPLEX GUIDE-UPPER; CLP-680ND	SA	1
3-1	4		JC66-02981A	ROLLER-DUPLEX_OUTER; ML-5015ND,EPDM	SNA	2
3-2	4		6107-003256	SPRING-TS; SUS304,NO,0.55,4.05,3.5,2-5.8,	SNA	2
3-3	4		JC66-03721A	GEAR-DOUBLE DRIVE DUPLEX; CLP-680ND,POM,0	SNA	1
3-4	4		JC66-03720A	GEAR-IN DUPLEX; CLP-680ND,POM,0.8,16,14.8	SNA	1
4	3		JC90-01203A	DUPLEX GUIDE-LOWER; CLP-680ND	SNA	1
4-1	4		JC66-03635A	ROLLER-DUPLEX; CLP-680ND,EPDM,SUM22,4	SA	1
4-2	4	A4233	6602-001588	BELT-TIMING GEAR; 32S2M152,CR+GF+NF,T3.2,	SNA	1
4-3	4		JC66-03722A	GEAR-DUPLEX; CLP-680ND,POM,0.6,20,13.44,J	SNA	1
4-4	4		JC66-03008A	SHAFT-FEED_DUP_1; ML-2950ND,POM,58.1,3.95	SNA	1
4-5	4		JC66-03601A	LEVER-ALIGN ADJUST; CLP-680ND,ABS,13.65,1	SNA	1
4-6	4		JC66-03010A	PULLEY-DUP; ML-2950ND,POM,NATURAL,3.95,10	SNA	2
5	3		JC61-05420A	GUIDE-REAR; CLP-680ND,HIPS,2T,223,63.5,50	SNA	1
6	3		JC63-03737A	COVER-REAR; CLP-680ND,HIPS,2.2t,328mm,270	SNA	1

3. COVER-MIDDLE

Exploded View



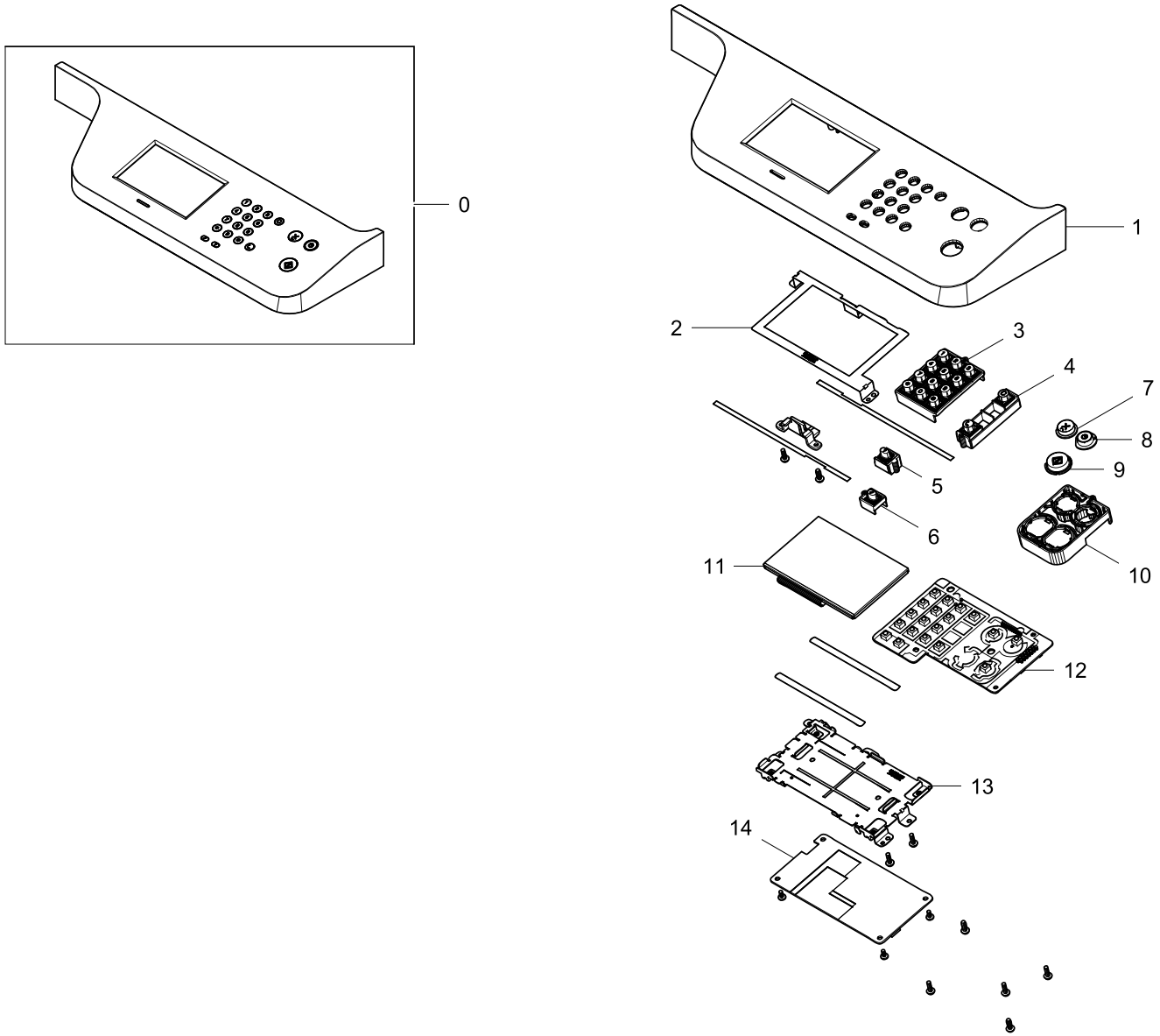
Parts List

No.	Lvl.	Loc.	Material Code	Description & Specification	SNA	Qty.
0	1		JC95-01737B	COVER-MIDDLE; CLX-6260FW,SEC	SA	1
1	2		JC63-03797A	COVER-MIDDLE DUMMY LEFT; CLP-680ND,HIPS,6	SNA	1
2	2		JC63-03803A	COVER-MIDDLE SUPPORT RIGHT; CLP-680ND,HIP	SNA	1
3	2		JC61-05515A	STACKER-MAIN; CLX-6260ND,ABS,2,2,90.3,67.	SA	1
4	2	B1558	JC63-01518A	COVER-LIU; CLX-6200FX,ABS+PC,V0	SNA	1
5	2		JC92-02552A	PBA-FAX CARD; CLX-6260FW,SEC,FAX CARD,FR4	SA	1
6	2	L6859	3001-002262	SPEAKER; 0.3W,8ohm,81dB,400Hz,50x16.4mm	SC	1
7	2		JC63-03746A	COVER; CLX-6260ND,ABS+PC,1.5t,95mm,56mm	SNA	1

No.	Lvl.	Loc.	Material Code	Description & Specification	SNA	Qty.
8	2		JC63-03715A	GROUND-FAX; CLP-680ND,C5210P,0.2T,GROUND/	SNA	1
9	2		JC63-03745A	COVER-MIDDLE; CLX-6260ND,HIPS,2.2t,444mm,	SNA	1
10	2		JC67-00693A	BRUSH-ANTISTATIC; CLX-6260ND,THUNDERON FI	SNA	1
11	2		JC63-03719A	GROUND-EXIT; CLP-680ND,C5210P,0.2T,GROUND	SNA	1
12	2		JC61-05517A	STACKER-BINFULL; CLP-680ND,ABS,STACKER/UN	SA	1
13	2		JC72-01343B	GUIDE-PMO-SUB_M_STACKER; CLX-6260,ABS,39*	SNA	1

4. OPE

Exploded View



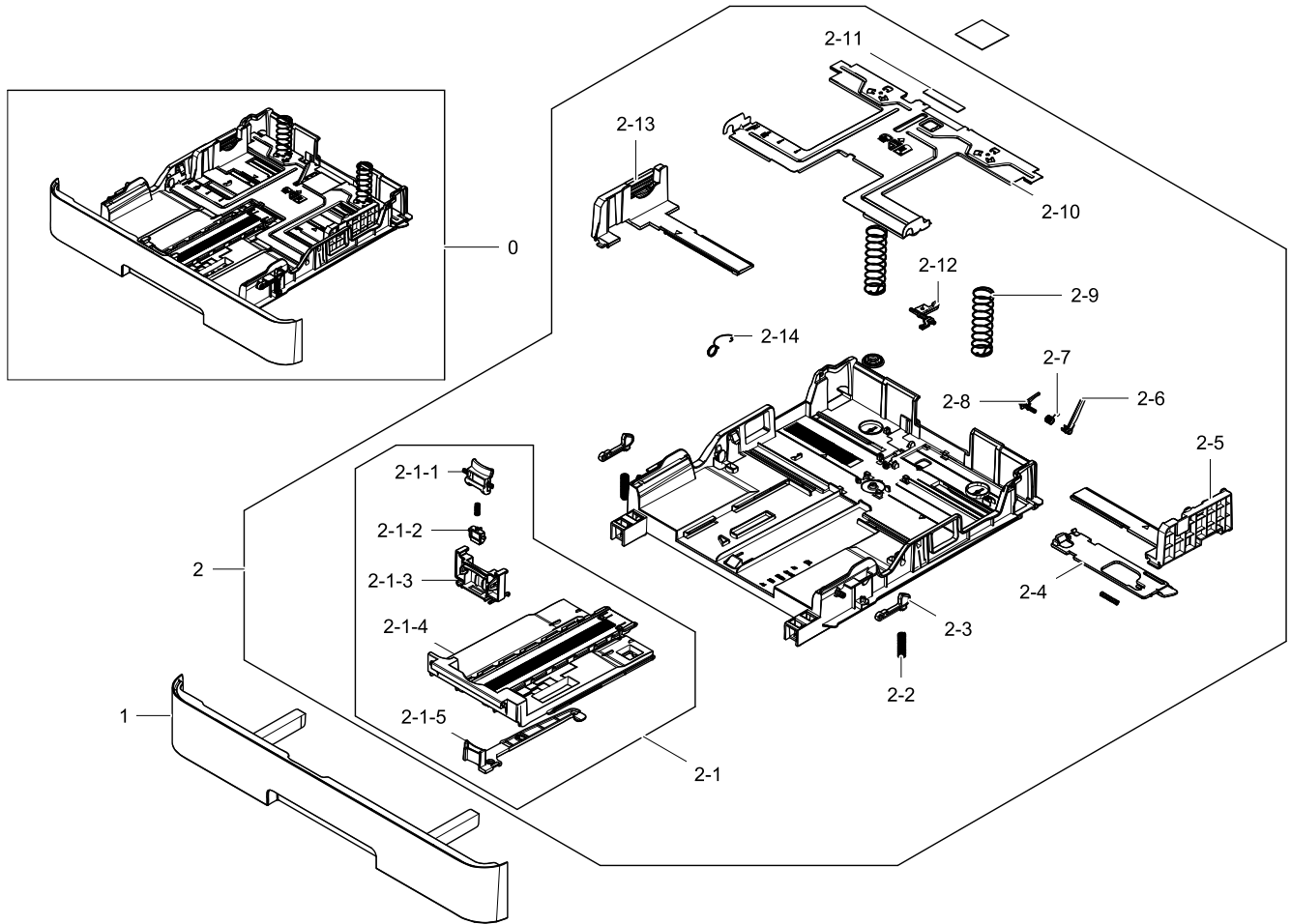
Parts List

No.	Lvl.	Loc.	Material Code	Description & Specification	SNA	Qty.
0	1		JC95-01769M	OPE; SL-C2670FW,SEC	SA	1
1	2		JC63-03801Y	COVER-OPE; SL-C2670FW,ABS,132.77,433.7,SE	SNA	1
2	2		JC61-04150A	PLATE-LCD; SCX-5737FW,STAINLESS-ST304,0.	SNA	1
3	2		JC64-00817A	KEY-NUMERICAL; CLX-6260ND,ABS,60.06,47.2,	SNA	1
4	2		JC64-00837A	KEY-CLEAR; CLX-4195FW,ABS,17.8,63.26,G326	SNA	1
5	2		JC64-00835A	KEY-HELP; CLX-4195FW,ABS,14.7,17.1,G32690	SNA	1

No.	Lvl.	Loc.	Material Code	Description & Specification	SNA	Qty.
6	2		JC64-00836A	KEY-RESET; CLX-4195FW,ABS,14.7,17.5,18546	SNA	1
7	2		JC64-00813A	KEY-STOP; CLP-680ND,ABS,14.15,SPLIT ORANG	SNA	1
8	2		JC64-00812A	KEY-POWER; CLP-680ND,ABS,13.36,1.5T,SPLIT	SNA	1
9	2		JC64-00820A	KEY-START-COLOR; CLX-6260ND,ABS,18.1,SPLI	SNA	1
10	2		JC61-05625A	HOLDER-KEY; CLX-6260ND,ABS,66.9,51.2,SPLI	SNA	1
11	2		JC07-00017A	LCD; LMS430HF21,SCX-5635ND,480x272,105.5(SA	1
12	2		JC92-02524A	PBA-OPE KEY SUB; CLX-6260FW,SEC,OPE KEY S	SA	1
13	2		JC61-04149A	PLATE-OPE; SCX-5737FW,EGI-SECC,0.8T,138.4	SNA	1
14	2		JC92-02505C	PBA-OPE; C2670FW,SEC,FR-4,6LAYER	SA	1

5. CASSETTE

Exploded View



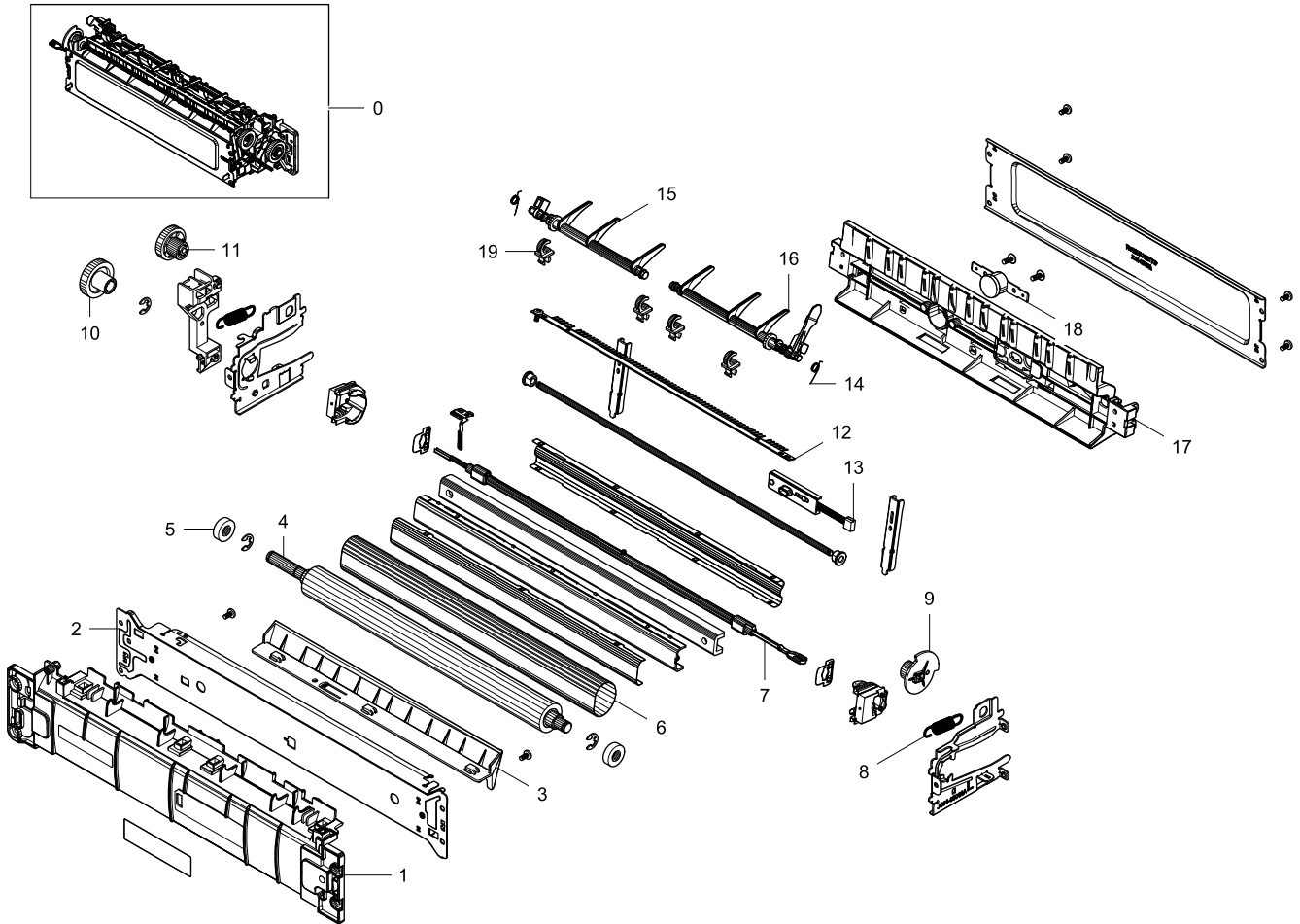
Parts List

No.	Lvl.	Loc.	Material Code	Description & Specification	SNA	Qty.
0	1		JC90-01182A	CASSETTE; CLP-680ND	SA	1
1	2		JC64-00799A	HANDLE-CASSETTE; CLP-680ND,HIPS,HR-1360T	SA	1
2	2		JC90-01179A	CASSETTE-FRAME; CLP-470N,XAA	SNA	1
2-1	3		JC90-01178A	CASSETTE-GUIDE REAR; CLP-470N,XAA	SNA	1
2-1-1	4		JC66-03032A	LEVER-GUIDE_REAR; ML-2950ND,ABS,37.6,24.7	SNA	1
2-1-2	4		JC61-04131A	STOPPER-SIDE RIGHT; ML-3710,POM,3.0,20,11	SNA	1
2-1-3	4		JC61-04418A	ADJUST-REAR; ML-2950ND,ABS,56.23,HF-0660I	SNA	1
2-1-4	4		JC61-05449A	GUIDE-PAPER REAR; CLP-680ND,HIPS,2T,125,2	SA	1
2-1-5	4		JC66-03031B	LEVER-GUIDE_EXTENSION; ML-2950ND,POM,1.8,	SNA	1
2-2	3	L7422	6107-001287	SPRING-CS; SUS304-WPB,PI0.6,D6.5,L25,ID5.	SNA	2

No.	Lvl.	Loc.	Material Code	Description & Specification	SNA	Qty.
2-3	3		JC64-00610A	LOCKER-CASSETTE; ML-3710,POM,NTR,41.5,15	SNA	2
2-4	3		JC64-00657A	LOCKER-PLATE; ML-2950ND,POM,WHITE,KEPITAL	SA	1
2-5	3		JC61-04397A	GUIDE-ADJUST_L; ML-2950ND,ABS,2.0,135.5,9	SA	1
2-6	3		JC66-03764A	LEVER-EMPTY; CLP-680ND,ABS,5,13.8,57,BLAC	SA	1
2-7	3		6107-003233	SPRING-TS; SUS304,0.25,6,LEFT,7,7,305	SNA	1
2-8	3		JC66-03595A	ACTUATOR-EMPTY LINK; CLP-680ND,ABS,30,BLA	SNA	1
2-9	3		6107-002935	SPRING-CS; SUS304,0.8,18.2,64.0,17.4,19.0	SA	2
2-10	3		JC61-05533A	PLATE-KONCK UP; CLP-680ND,EGI-SECC,0.8T,2	SNA	1
2-11	3	F9051	JC73-00141A	RPR-PAD CASSETTE; ML-1510,Urethan Sponge,	SA	1
2-12	3		JC66-03610A	ACTUATOR-EMPTY; CLP-680ND,PC,2T,20,25,NH-	SA	1
2-13	3		JC90-01106A	CASSETTE-GUIDE RIGHT; ML-2955ND,SEE	SA	1
2-14	3		6107-003232	SPRING-ETC; SUS304,0.5,10,27.51,RIGHT	SNA	1

6. FUSER

Exploded View



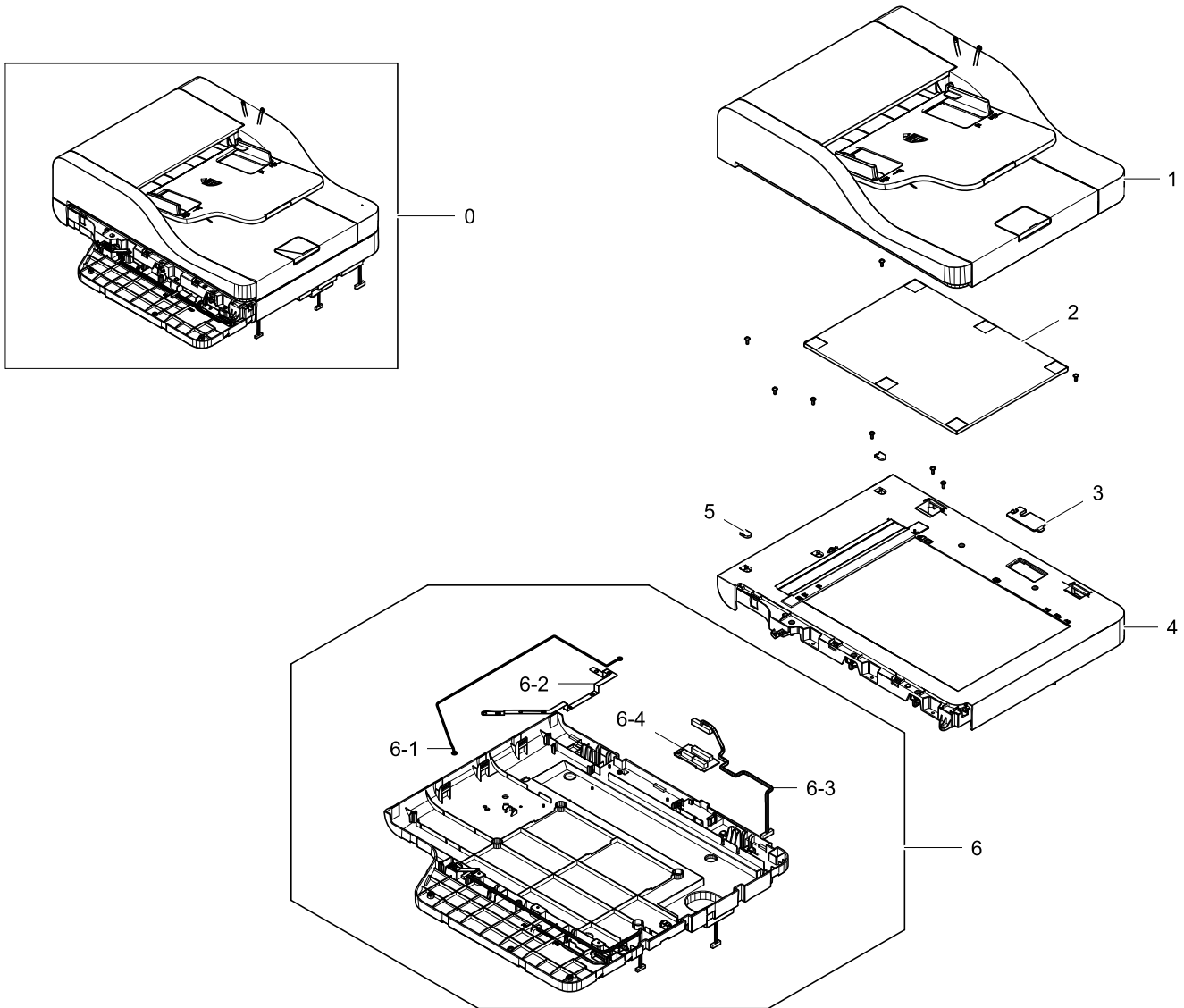
Parts List

No.	Lvl.	Loc.	Material Code	Description & Specification	SNA	Qty.
0	1		JC91-01129A	FUSER; CLP-680ND,SEC,WORLD,220V	SA	1
1	2		JC63-03680A	COVER-DUPLEX; CLP-680ND,PET+GF,60.3,324.2	SNA	1
2	2		JC61-05039A	FRAME-FUSER BOTTOM; CLP-680ND,EGI-SECC,0.	SNA	1
3	2		JC61-05386A	GUIDE-INPUT; CLP-680ND,PET+GF,24.71,222,G	SNA	1
4	2		JC66-03776A	ROLLER-PRESSURE; CLP-680ND,14,SUM22 or SU	SNA	1
5	2	G9044	6601-001341	BEARING-BALL; 688ZZ,ID8,OD16,L5,SUJ2/SUS3	SA	2
6	2		JC66-03784A	DRUM-FUSER_BELT; CLP-680ND,SUS,LSR,Non-co	SNA	1
7	2		4713-001658	LAMP-HALOGEN; 230V,800W	SNA	1
8	2		6107-003245	SPRING-ES; SUS304,7,32.3	SNA	2

No.	Lvl.	Loc.	Material Code	Description & Specification	SNA	Qty.
9	2		JC66-03436A	ACTUATOR-CAM; CLP-680ND,PA,A50H1,BLACK,AC	SNA	1
10	2		JC66-03432A	GEAR-FUSER; CLP-680ND,PA,1,25,27,Rhodia 2	SNA	1
11	2		JC66-03437A	GEAR-CAM; CLP-680ND,PA,1,22,BLACK,24,A50H	SNA	1
12	2		JC67-00528A	BRUSH-EXIT; ML-5010,SUS FIBER,0.9T,W6.2,L	SA	1
13	2		1404-001729	THERMISTOR-NTC ASSY; 100Kohm,12.6x46.5x8.	SNA	1
14	2	L6977	JC61-70903A	SPRING ETC-ACTUATOR; ML-165,SUS304,PI0.2,	SA	2
15	2		JC66-03504A	ACTUATOR-GUIDE; CLP-680ND,PA,111,Rhodia 2	SNA	1
16	2		JC66-03412A	ACTUATOR-EXIT; CLP-680ND,PA,Rhodia 2413GW	SNA	1
17	2		JC61-05040A	HOLDER-HARNESS; CLP-680ND,PET+GF,44.16,26	SNA	1
18	2		4712-001091	THERMOSTAT; AC125/250V,195+-5100	SNA	1
19	2	A7676	JC61-02411A	BUSH-TX; CLP-310,POM,7.0,10.0,10,BLACK	SNA	4

7. SCANNER

Exploded View



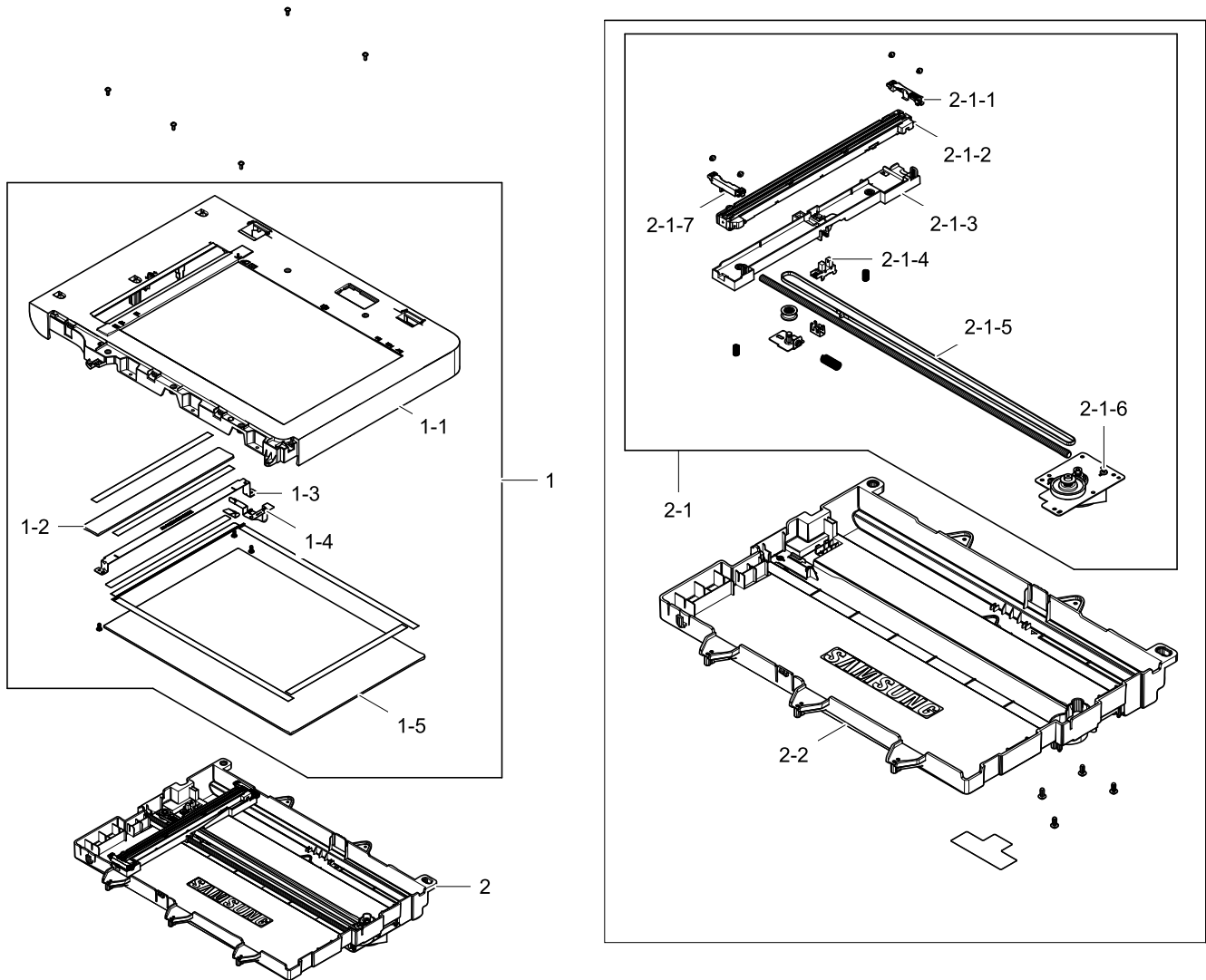
Parts List

No.	Lvl.	Loc.	Material Code	Description & Specification	SNA	Qty.
0	1		JC97-04190A	SCANNER; CLX-6260FW	SNA	1
1	2		JC97-04172A	DADF; CLX-6260FR	SA	1
2	2	G0713	JC63-00209A	SHEET-WHITE SPONGE; SCX-4216F,Polyurethan	SA	1
3	2		JC63-03836A	COVER-CONNECTOR; CLX-6260ND,HIPS,W27,L58.	SNA	1
4	2		JC97-04156A	PLATEN; CLX-6260FR	SA	1
5	2		JC63-03834A	COVER-SCAN; CLX-6260ND,HIPS,3.2,14.3,10.4	SNA	2
6	2		JC95-01723A	COVER-PLATEN LOWER; CLX-6260FW,SEC	SNA	1

No.	Lvl.	Loc.	Material Code	Description & Specification	SNA	Qty.
6-1	3		JC39-01805A	HARNESS-4.3INCH GND; CLX-6260ND,UL1007,1P	SNA	1
6-2	3		JC61-05620A	PLATE-GROUND LCD; CLX-6260ND,STAINLESS-ST	SNA	1
6-3	3		JC39-01819A	HARNESS-DADF JOINT; CLX-6260ND,UL10272,20	SNA	1
6-4	3		JC92-02353A	PBA-JOINT; SCX-5637FR,SEC,DUPLEX ADF PBA,	SA	1

7.1. PLATEN

Exploded View



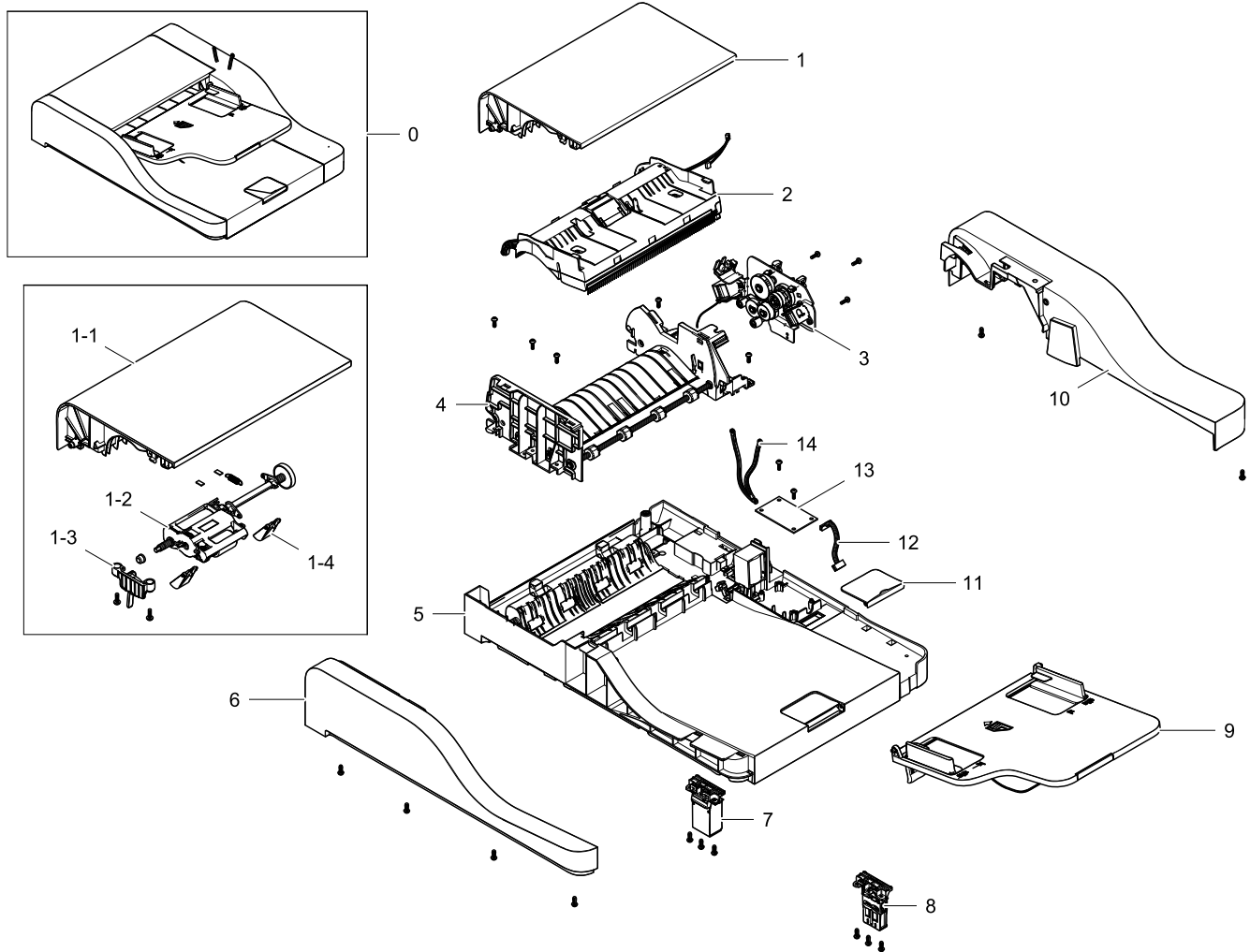
Parts List

No.	Lvl.	Loc.	Material Code	Description & Specification	SNA	Qty.
1	3		JC97-04157A	PLATEN-UPPER DADF; CLX-6260FR	SNA	1
1-1	4		JC63-03823A	COVER-SCAN UPPER SCARLET; CLX-6260FR,HIPS	SNA	1
1-2	4		JC01-00058A	GLASS-ADF; 252*28.5,2.8T	SNA	1
1-3	4		JC61-05642A	BRACKET-GUIDE PATH; CLX-6260ND,EGI-SECC,T	SNA	1
1-4	4		JC63-03829A	GROUND-PLATEN UPPER RADF; CLX-6260FR,BRON	SNA	1
1-5	4		JC01-00059A	GLASS-PLATEN; 345.8*249,2.8	SNA	1
2	3		JC97-04181A	PLATEN-FRAME; CLX-6260FR	SNA	1
2-1	4		JC97-04169A	SCANNER-PLATEN FH; CLX-6260ND	SNA	1

No.	Lvl.	Loc.	Material Code	Description & Specification	SNA	Qty.
2-1-1	5		JC61-05641A	GUIDE-CIS REAR; CLX-6260ND,POM,W7.4,L43.2	SNA	1
2-1-2	5		0609-001474	CONTACT IMAGE SENSOR; 219mm,10368dot,0.18	SA	1
2-1-3	5		JC61-05646A	BRACKET-CIS; CLX-6260ND,ABS+PC,W40.44,L23	SNA	1
2-1-4	5	L9633	0604-001415	PHOTO-INTERRUPTER; TR,DIP-4,BK	SA	1
2-1-5	5		6602-002970	BELT-TIMING GEAR; 759teeth,poly urethan,b	SA	1
2-1-6	5		JC97-04170A	PLATEN-DRIVETRAIN; CLX-6260ND	SA	1
2-1-7	5		JC61-05634A	GUIDE-CIS FRONT; CLX-6260ND,POM,W7.4,L43.	SNA	1
2-2	4		JC61-05632A	FRAME-PLATEN; CLX-6260ND,HIPS,W302,L401.1	SNA	1

7.2. DADF

Exploded View



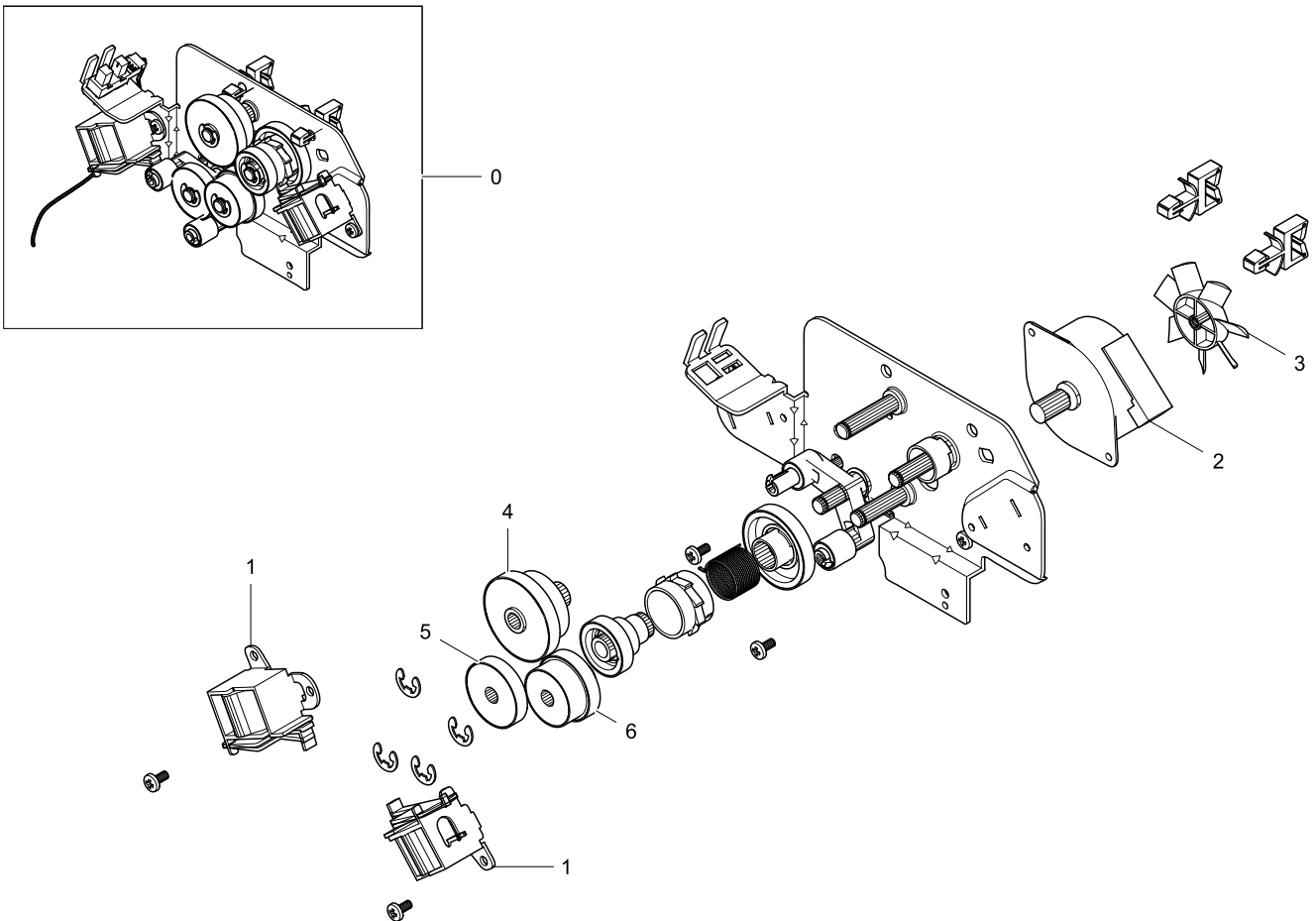
Parts List

No.	Lvl.	Loc.	Material Code	Description & Specification	SNA	Qty.
0	2		JC97-04172A	DADF; CLX-6260FR	SA	1
1	3		JC97-04158A	DADF-COVER OPEN; CLX-6260FR	SA	1
1-1	4		JC63-03818A	COVER-OPEN; CLX-6260FR,ABS,2,174.9,263	SNA	1
1-2	4		JC97-04199A	DADF-PICK UP; CLX-6260FR	SA	1
1-3	4	D9741	JC97-03060A	MEA UNIT-STOPPER; CLX-6240FX,-,-,-,-,-	SA	1
1-4	4		JC61-00788C	GUIDE-DOC SENSOR; CLX-8650ND,HIPS,2,15.1,	SNA	2
2	3		JC97-04196A	DADF-UPPER; CLX-6260FR	SNA	1
3	3		JC93-00761A	DRIVE-DADF; CLX-6260FR	SA	1
4	3		JC97-04160A	DADF-LOWER; CLX-6260FR	SNA	1
5	3		JC97-04159A	DADF-PLATEN; CLX-6262FR	SNA	1
6	3		JC63-03821A	COVER-FRONT; CLX-6260FR,HIPS,2,95,468.9	SNA	1

No.	Lvl.	Loc.	Material Code	Description & Specification	SNA	Qty.
7	3		JC97-04198A	DADF-HINGE_R; CLX-6260FR	SA	1
8	3		JC97-04197A	DADF-HINGE_L; CLX-6260FR	SA	1
9	3		JC97-04161A	DADF-STACKER; CLX-6260FR	SA	1
10	3		JC63-03822A	COVER-RADF REAR; CLX-6260FR,HIPS,2,75.5,4	SNA	1
11	3		JC61-05635A	GUIDE-EXTENTION_P; CLX-6260FR,HIPS,2,60,5	SNA	1
12	3		JC39-01493A	HARNESS-DADF; SCX-5637FR,UL10272,12p,11p,	SA	1
13	3	E7105	JC92-01954A	PBA-DADF; CLX-6240FX,SEC,-,-,-,-,65mm*4	SA	1
14	3	H1096	JC39-00892A	HARNESS-DADF GND; CLX-6240FX,UL1007,GRN,A	SA	1

7.2.1. DRIVE-DADF

Exploded View

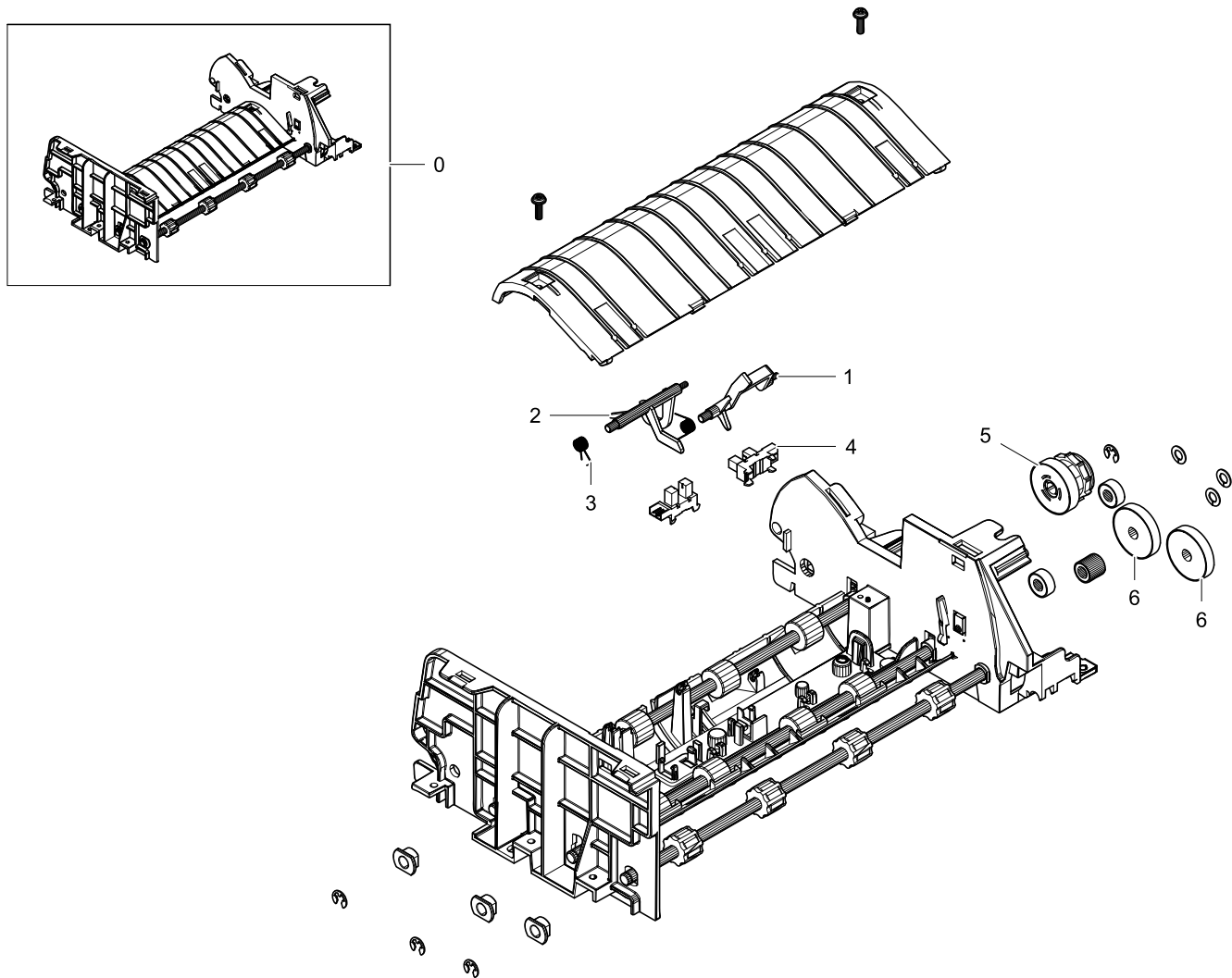


Parts List

No.	Lvl.	Loc.	Material Code	Description & Specification	SNA	Qty.
0	3		JC93-00761A	DRIVE-DADF; CLX-6260FR	SA	1
1	4	G1082	JC33-00030A	SOLENOID-DADF; DLH-34L130-01,CLX-6240FX,D	SA	2
2	4		JC31-00116A	MOTOR STEP; M42SP-13NK R14-S003,SCX-5535N	SNA	1
3	4	C7180	JC66-00556A	IMPELLER-A DF; SCX-4216F,NYLON66,1.8,VO,	SA	1
4	4	C3684	JC66-01758A	GEAR-PICKUP IDLE; CLX-6200FX,POM,M1.0/M0.	SA	1
5	4	C3367	JC66-01753A	GEAR-FEED IDLE B; CLX-6200FX,POM,M0.5,Z47	SA	1
6	4	C3366	JC66-01752A	GEAR-FEED IDLE A; CLX-6200FX,POM,M0.5/M0.	SA	1

7.2.2. DADF-LOWER

Exploded View

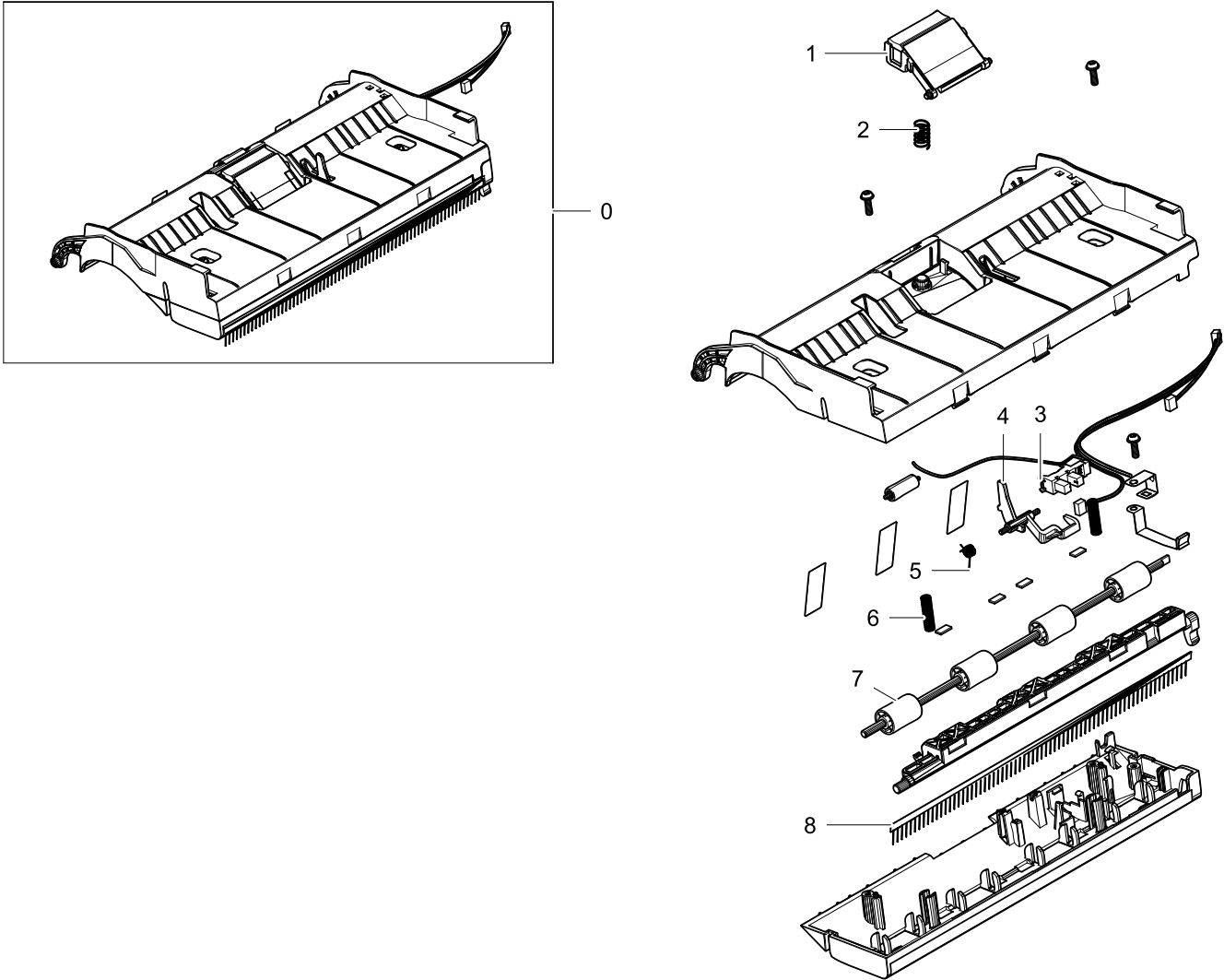


Parts List

No.	Lvl.	Loc.	Material Code	Description & Specification	SNA	Qty.
0	3		JC97-04160A	DADF-LOWER; CLX-6260FR	SNA	1
1	4	A0107	JC66-01766A	ACTUATOR-FEED; CLX-6200FX,PC,2,BLACK,ACTU	SA	1
2	4	A0126	JC66-01762A	ACTUATOR-REGI; CLX-6200FX,POM,2,BLACK,ACT	SA	1
3	4	G1428	JB61-00076A	SPRING ETC-TORSION DOC (CC2-F); SCX-1110F	SA	1
4	4	L9633	0604-001415	PHOTO-INTERRUPTER; TR,DIP-4,BK	SA	1
5	4		JC93-00762A	DRIVE-GEAR FEED; CLX-6260FR	SNA	1
6	4	C3346	JC66-01757A	GEAR-EXIT; CLX-6200FX,POM,M0.5,Z51,26.5	SA	2

7.2.3. DADF-UPPER

Exploded View

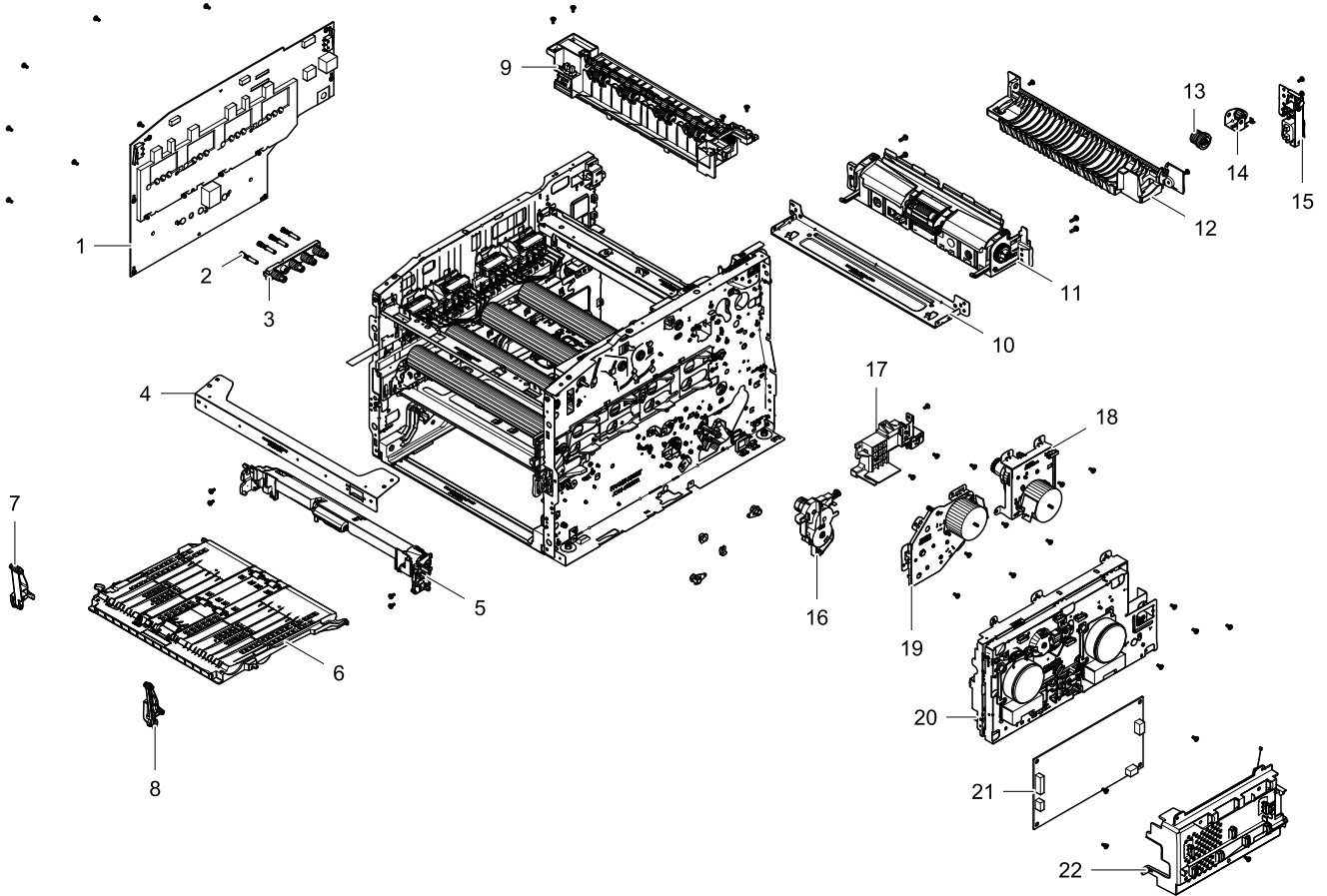


Parts List

No.	Lvl.	Loc.	Material Code	Description & Specification	SNA	Qty.
0	3		JC97-04196A	DADF-UPPER; CLX-6260FR	SNA	1
1	4	D9111	JC97-03069A	MEA UNIT-DADF RUBBER; CLX-6240FX,-,-,-,-	SA	1
2	4	G1371	JC61-00387A	SPRING ETC-PAD; ML-9400W,SUS304WPB,PI0.5,	SA	1
3	4	L9633	0604-001415	PHOTO-INTERRUPTER; TR,DIP-4,BK	SA	1
4	4	A0093	JC66-01765A	ACTUATOR-EMPTY; CLX-6200FX,PC,2,BLACK,ACT	SNA	1
5	4	G1428	JB61-00076A	SPRING ETC-TORSION DOC (CC2-F); SCX-1110F	SA	1
6	4	G1311	JC61-02428A	SPRING ETC-EXIT IDLE; CLX-6240FX,SUS304 W	SNA	2
7	4	L4477	JC66-01022A	ROLLER-M_IDLE SCF; SCX-6345N,POM,500CL	SA	4
8	4	E0304	JC75-00095A	MEC-BRUSH ANTISTATIC; ML-6060A,SEC,NTR	SA	1

8. FRAME

Exploded View



Parts List

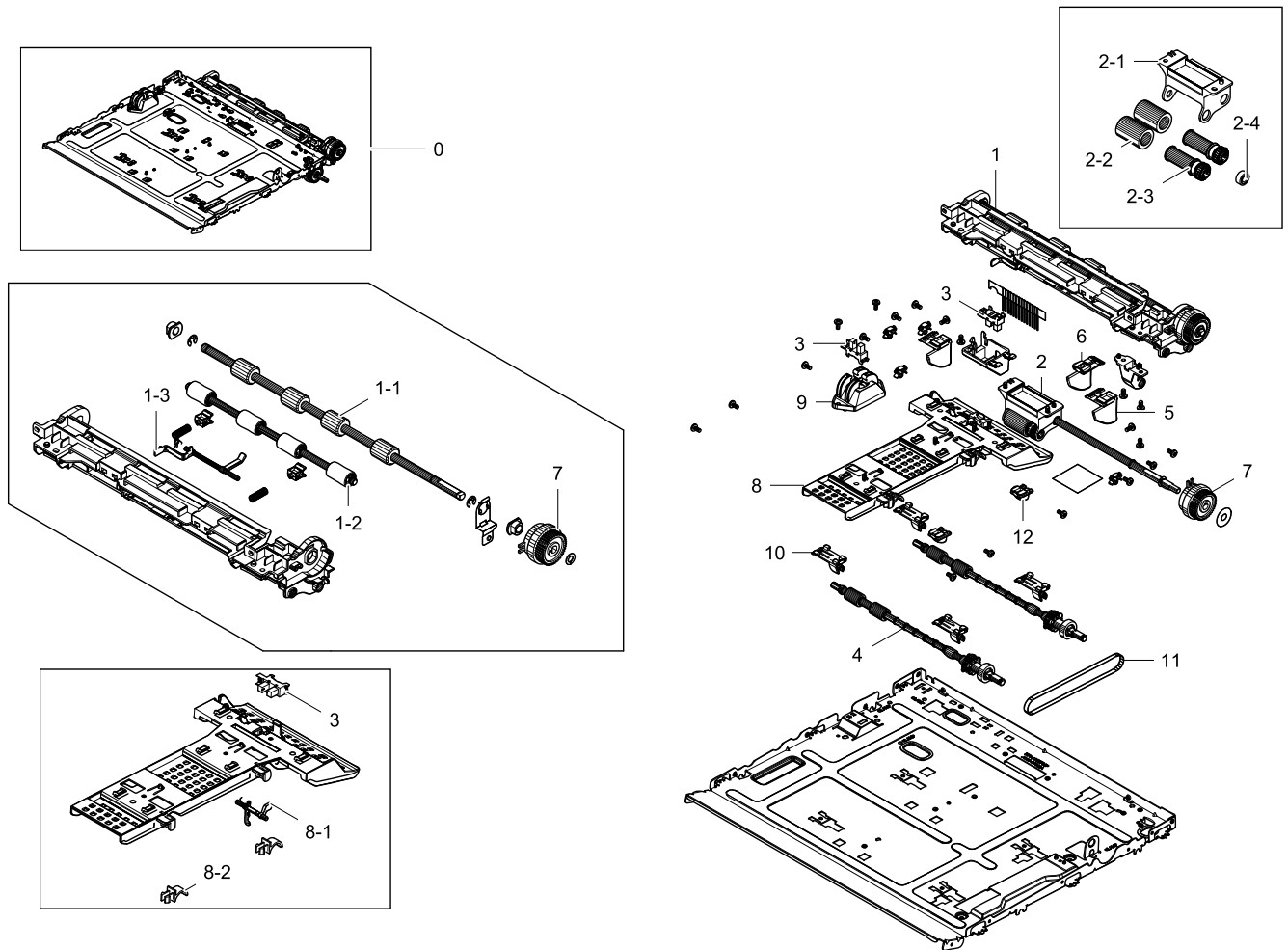
No.	Lvl.	Loc.	Material Code	Description & Specification	SNA	Qty.
1	4		JC44-00238A	HVPS; 24V,21.6V~27.6V,MAX 7KV,MAX-2KV,C26	SA	1
2	4		JC93-00658A	FRAME-T1 TERMINAL; CLP-470N,XAA	SNA	4
3	4		JC61-05487A	HOLDER-HV T1; CLP-680ND,ABS+PC,100	SNA	1
4	3		JC61-05407A	BRACKET-FRONT_TOP; CLP-680DW,EGI-SECC,1.0	SNA	1
5	3		JC93-00795A	FRAME-PICKUP MP; CLP-680ND	SA	1
6	3		JC93-00792A	FRAME-TRAY MP; CLP-680ND	SA	1
7	3		JC66-03637A	LINK-L; CLP-680ND,POM,68mm,2.0t,WHITE,ROU	SA	1
8	3		JC66-03638A	LINK-R; CLP-680ND,POM,68mm,2.0t,WHITE,ROU	SA	1
9	3		JC93-00752A	FRAME-EXIT; CLP-680ND,XAA	SA	1

Exploded Views and Parts List

No.	Lvl.	Loc.	Material Code	Description & Specification	SNA	Qty.
10	3		JC61-05404A	BRACKET-BOTTOM_REAR; CLP-680DW,EGI-SECC,1	SNA	1
11	3		JC93-00793A	FRAME-RETARD; CLP-680ND	SA	1
12	3		JC63-03703A	COVER-REAR BOTTOM; CLP-680ND,HIPS,2T,328,	SNA	1
13	3		JC66-03723A	GEAR-DOUBLE DUPLEX; CLP-680ND,POM,0.6/0.8	SNA	1
14	3		JC93-00774A	DRIVE-DUPLEX SWING; CLP-680ND,SEC	SA	1
15	3		JC93-00764A	FRAME-POWER SWITCH; CLP-680ND,XAA	SNA	1
16	3		JC93-00770A	DRIVE-T1; CLP-680ND,SEC	SNA	1
17	3		JC61-05575A	BRACKET-TR MOTOR DC; CLP-680ND,ABS+PC,2.5	SNA	1
18	3		JC93-00767A	DRIVE-FUSER; CLP-680ND,SEC	SA	1
19	3		JC93-00769A	DRIVE-PH; CLP-680ND,SEC	SA	1
20	3		JC93-00766A	DRIVE-MAIN; CLP-680ND,SEC	SA	1
21	2		JC44-00223A	SMPS-V2; CLP-680ND,PSPN-Type3R-V2,Flyback	SA	1
22	3		JC93-00756A	FRAME-COVER SMPS; CLP-680ND,XAA	SNA	1

8.1. FRAME-BRACKET MP

Exploded View



Parts List

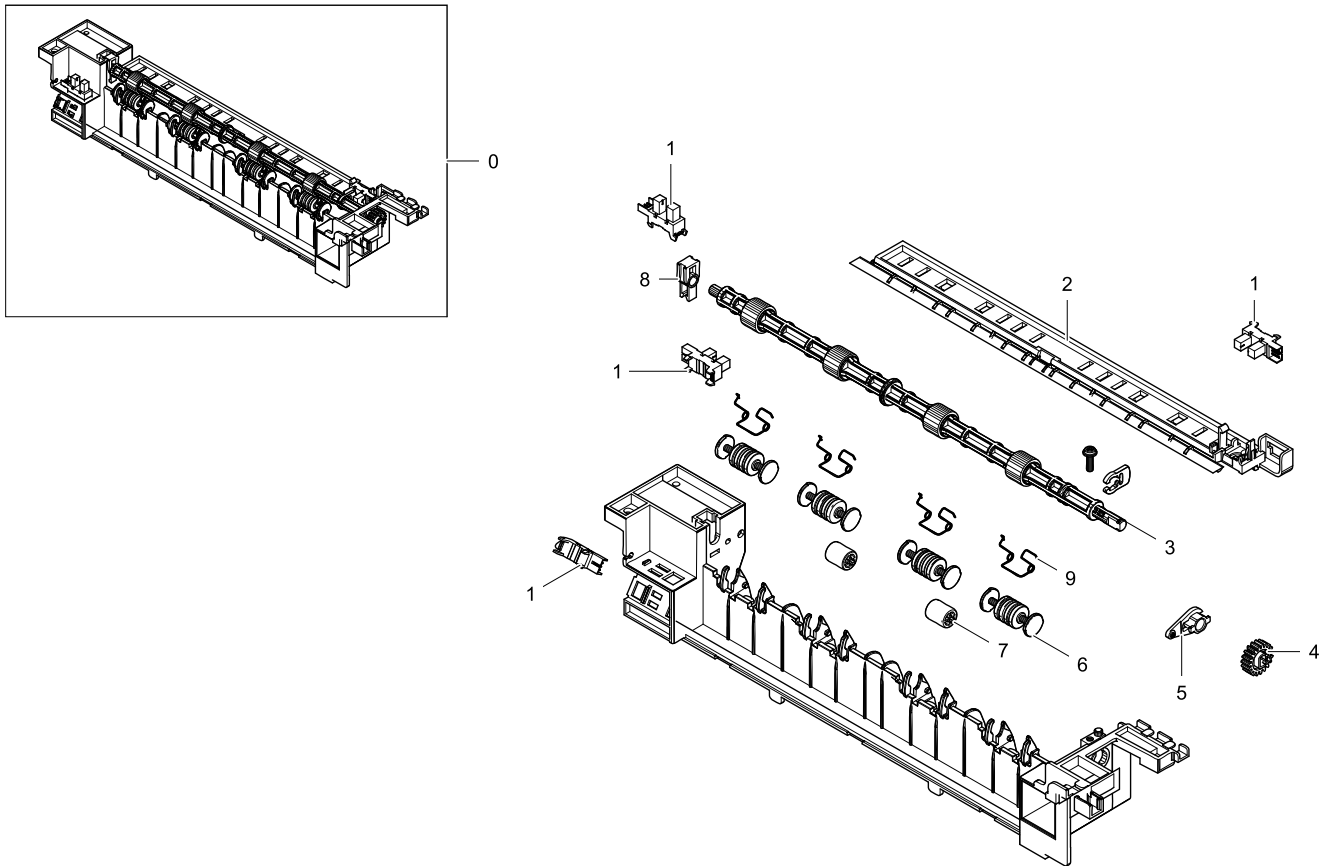
No.	Lvl.	Loc.	Material Code	Description & Specification	SNA	Qty.
0	3		JC93-00750A	FRAME-BRACKET MP; CLP-680ND,XAA	SA	1
1	4		JC93-00790A	FRAME-REGI; CLP-680ND	SA	1
1-1	5		JC66-03633A	ROLLER-REGI; CLP-680ND,EPDM,SUM22,6	SA	1
1-2	5		JC61-05611A	ROLLER-REGI IDLE; CLP-680ND,POM,F20-02	SNA	4
1-3	5		JC66-03611A	ACTUATOR-REGI SENSOR; CLP-680ND,PC+GF,2T,	SA	1
2	4		JC93-00673A	FRAME-PICKUP ONEWAY; CLP-470N,XAA	SA	1
2-1	5		JC61-05370A	HOLDER-PICKUP; CLP-680ND,ABS+PC,59.8	SNA	1
2-2	5		JC66-02939B	ROLLER-MAT_RETARD; ML-2950ND,EPDM	SA	2
2-3	5		JC66-03047A	CLUTCH-P-ONEWAY; ML-2955ND,POM	SNA	2
2-4	5	C3485	JC66-01918A	GEAR-IDLE PICK UP; CLX-3170FN,POM,0.5,20,	SNA	1
3	4	L9633	0604-001415	PHOTO-INTERRUPTER; TR,DIP-4,BK	SA	1
4	4		JC93-00787A	FRAME-ROLLER_MP; CLP-680ND	SA	2

Exploded Views and Parts List

No.	Lvl.	Loc.	Material Code	Description & Specification	SNA	Qty.
5	4		JC66-03620A	SHAFT-PICK UP; CLP-680ND,PC,147.5,6,NH-10	SNA	1
6	4		JC61-05447A	GUIDE-PICKUP; CLP-680ND,HIPS,BLACK,PATH	SNA	1
7	4		JC47-00035A	CLUTCH-ELECTRIC Z41; 2.5,41,0.6,120mA,200	SA	1
8	4		JC93-00791A	FRAME-FEED MP; CLP-680ND	SNA	1
8-1	5		JC66-03608A	ACTUATOR-FEED MP; CLP-680ND,PC,BLACK,ACTU	SA	1
8-2	5	L9445	JC61-03973A	HOLDER-SHAFT; ML-1660,POM,21.8,BLACK	SA	2
9	4		JC61-05529A	HOLDER-SHAFT MP; CLP-680ND,POM,1.5,12.5,3	SNA	4
10	4		JC61-05412A	BRACKET-MP; CLP-680DW,EGI-SECC,0.8T,400,1	SNA	1
11	4		6602-001721	BELT-TIMING GEAR; S2M250,RUB(CR),L250	SA	1
12	3		JC61-06377A	GUIDE-PAPER MP; C2620,POM,F25-03HT,BLACK,	SNA	1

8.2. FRAME-EXIT

Exploded View

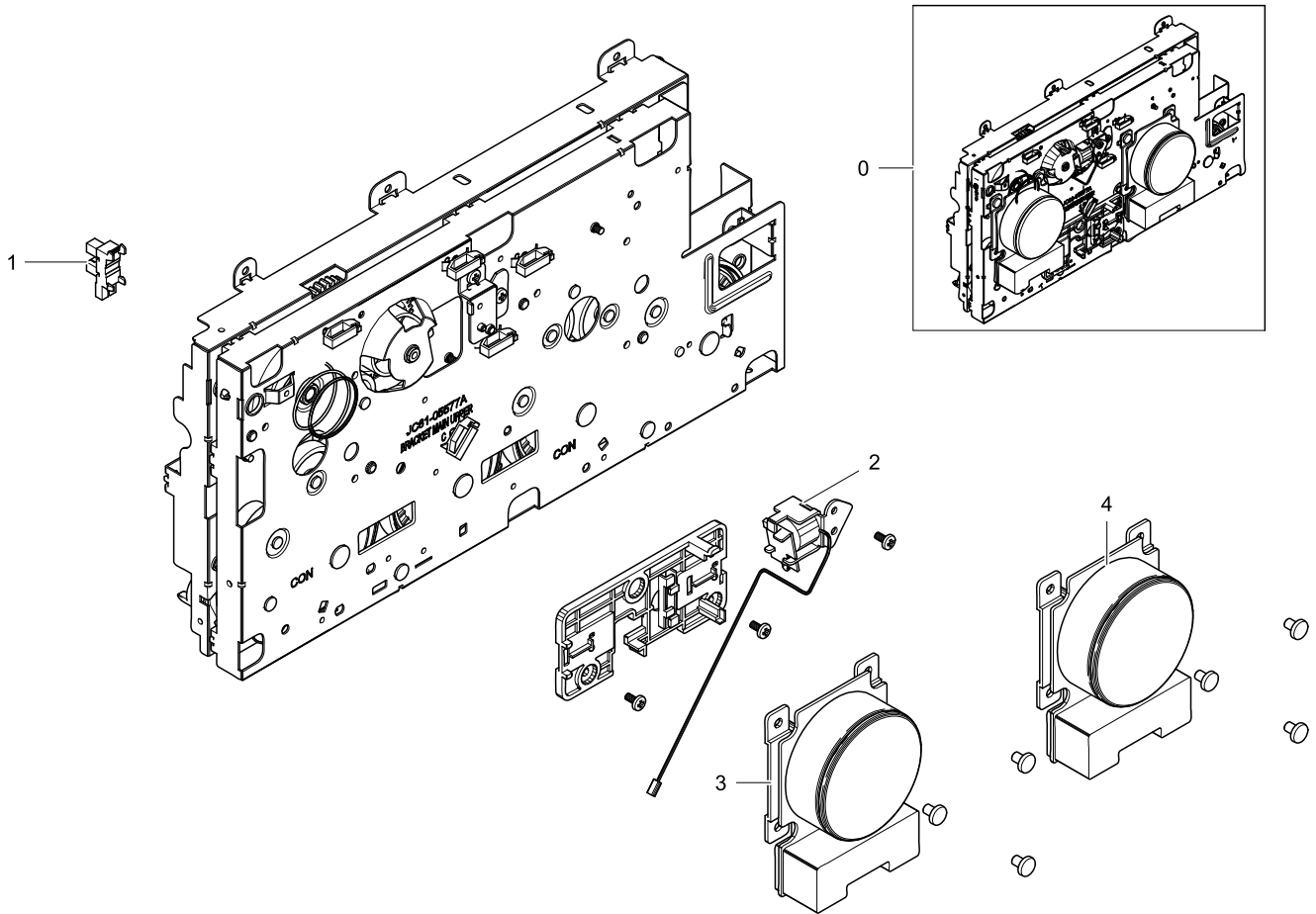


Parts List

No.	Lvl.	Loc.	Material Code	Description & Specification	SNA	Qty.
0	3		JC93-00752A	FRAME-EXIT; CLP-680ND,XAA	SA	1
1	4	L9633	0604-001415	PHOTO-INTERRUPTER; TR,DIP-4,BK	SA	1
2	4		JC61-05423A	GUIDE-EXIT PATH; CLP-680DW,ABS,200,SR-032	SNA	1
3	4		JC93-00763A	FRAME-ROLLER EXIT F DOWN; CLP-680ND,XAA	SNA	1
4	4		JC66-03731A	GEAR-EXIT; CLP-680ND,POM,0.8,19,16.96,JGM	SNA	1
5	4	K8195	JC72-41191B	SHAFT; ML-2150,POM,BLK,DE8903	SA	1
6	4		JC66-03606A	ROLLER-EXIT IDLE; CLP-680ND,POM	SNA	4
7	4	L2183	JC72-40981A	ROLLER; ML-165,POM	SA	2
8	4	H1227	JC61-00845A	BUSH-M-EXIT; ML-2550,DE8903(NTR),5,7,	SA	1
9	4		6107-003226	SPRING-TS; SWP B,0.5,15.27,3.5,4,1.368,LE	SNA	4

8.3. DRIVE-MAIN

Exploded View

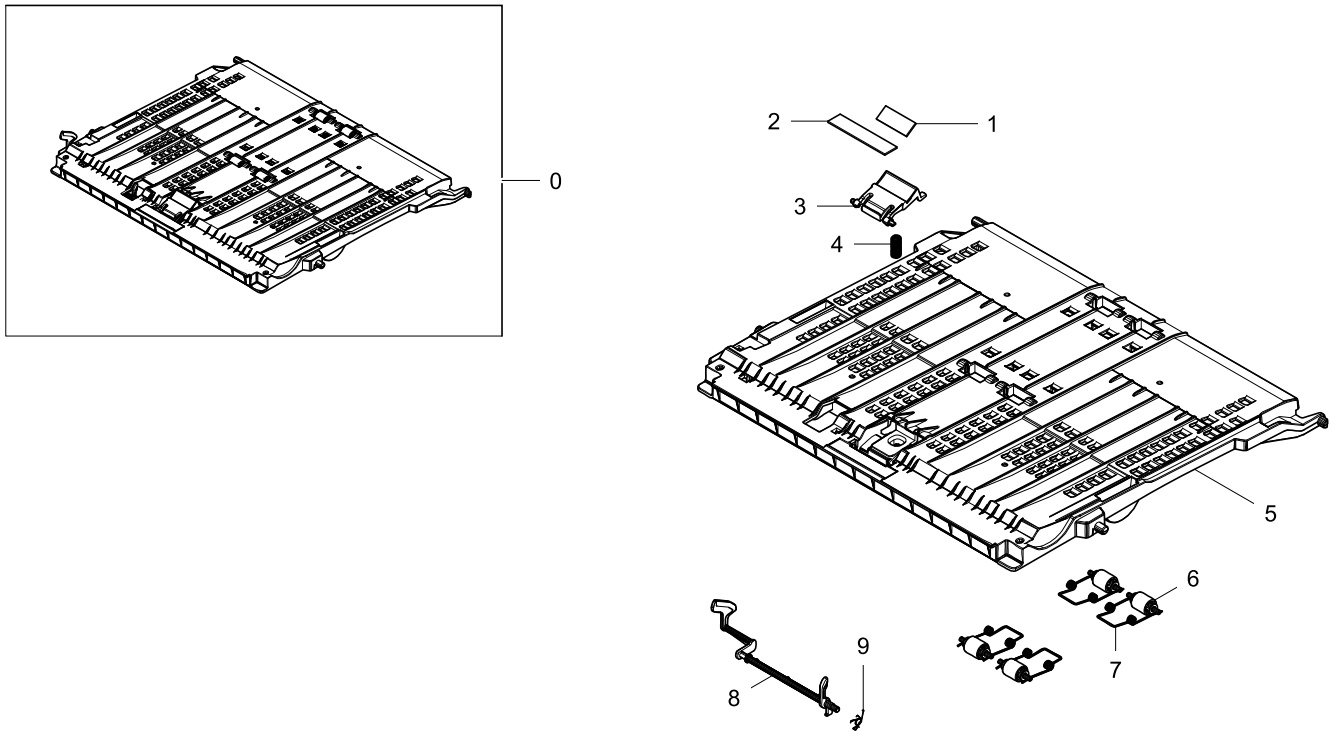


Parts List

No.	Lvl.	Loc.	Material Code	Description & Specification	SNA	Qty.
0	3		JC93-00766A	DRIVE-MAIN; CLP-680ND,SEC	SA	1
1	4	L9633	0604-001415	PHOTO-INTERRUPTER; TR,DIP-4,BK	SA	1
2	4		JC33-00028D	SOLENOID; CLP-680ND,DC 24V,70,22.1*14.8	SA	1
3	4		JC31-00165A	MOTOR BLDC-BT6; 430 ~ 2400 rpm,DC 24V,2.0	SA	1
4	4	K1289	JC31-00075A	MOTOR BLDC; CLP-660,37,24,2400,1500,2.4,5	SA	1

8.4. FRAME-TRAY MP

Exploded View

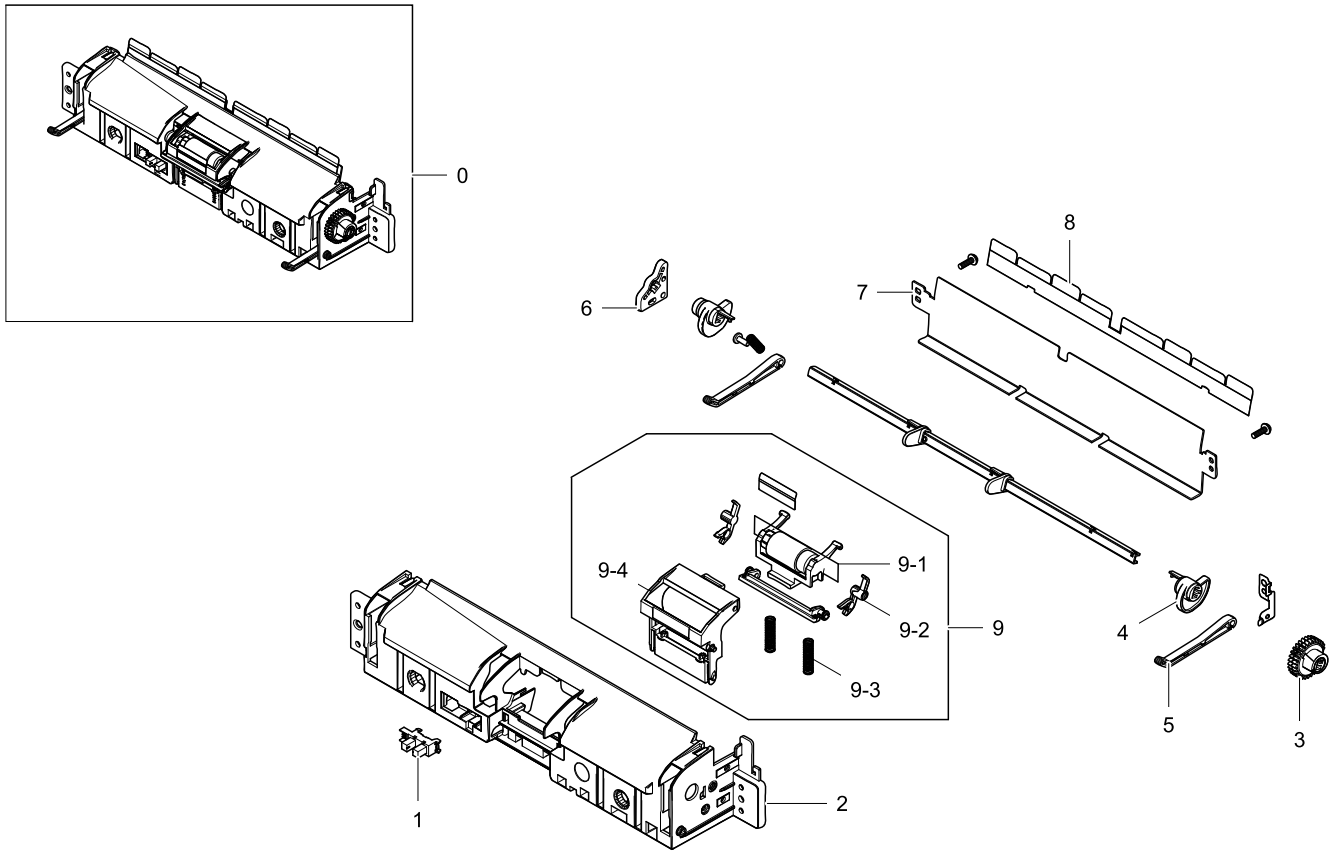


Parts List

No.	Lvl.	Loc.	Material Code	Description & Specification	SNA	Qty.
0	3		JC93-00792A	FRAME-TRAY MP; CLP-680ND	SA	1
1	4		JC67-00550A	PAD RUBBER-FRICTION; ML-2160,EPDM,80,0.8~	SA	1
2	4	F9043	JC73-00140A	RPR-FRICTION PAD; ML-1510,NBB,50,0.9~1.2,	SA	1
3	4		JC61-05527A	HOLDER-PAD MP; CLP-680ND,ABS+PC,NAOTO GRA	SA	1
4	4	L9374	6107-002617	SPRING-CS; SUS304,PI0.45,D4.95,L16.5,ID4.	SA	1
5	4		JC63-03701A	TRAY-MP; CLP-680ND,ABS,2,258,232.6,SPLIT	SNA	1
6	4	F8925	JC66-00896A	ROLLER-M-IDLE_ DUP; ML-3560,POM,NW-02	SA	4
7	4		6107-003344	SPRING-TS; SWP,0.75,4.25,4,3.9,free	SNA	4
8	4		JC66-03612A	ACTUATOR-EMPTY MP; CLP-680ND,PC,BLACK,ACT	SA	1
9	4	G1591	6107-001164	SPRING-TS; SUS,PI0.15,D3.95,ID3.8,OD4.1	SA	1

8.5. FRAME-RETARD

Exploded View



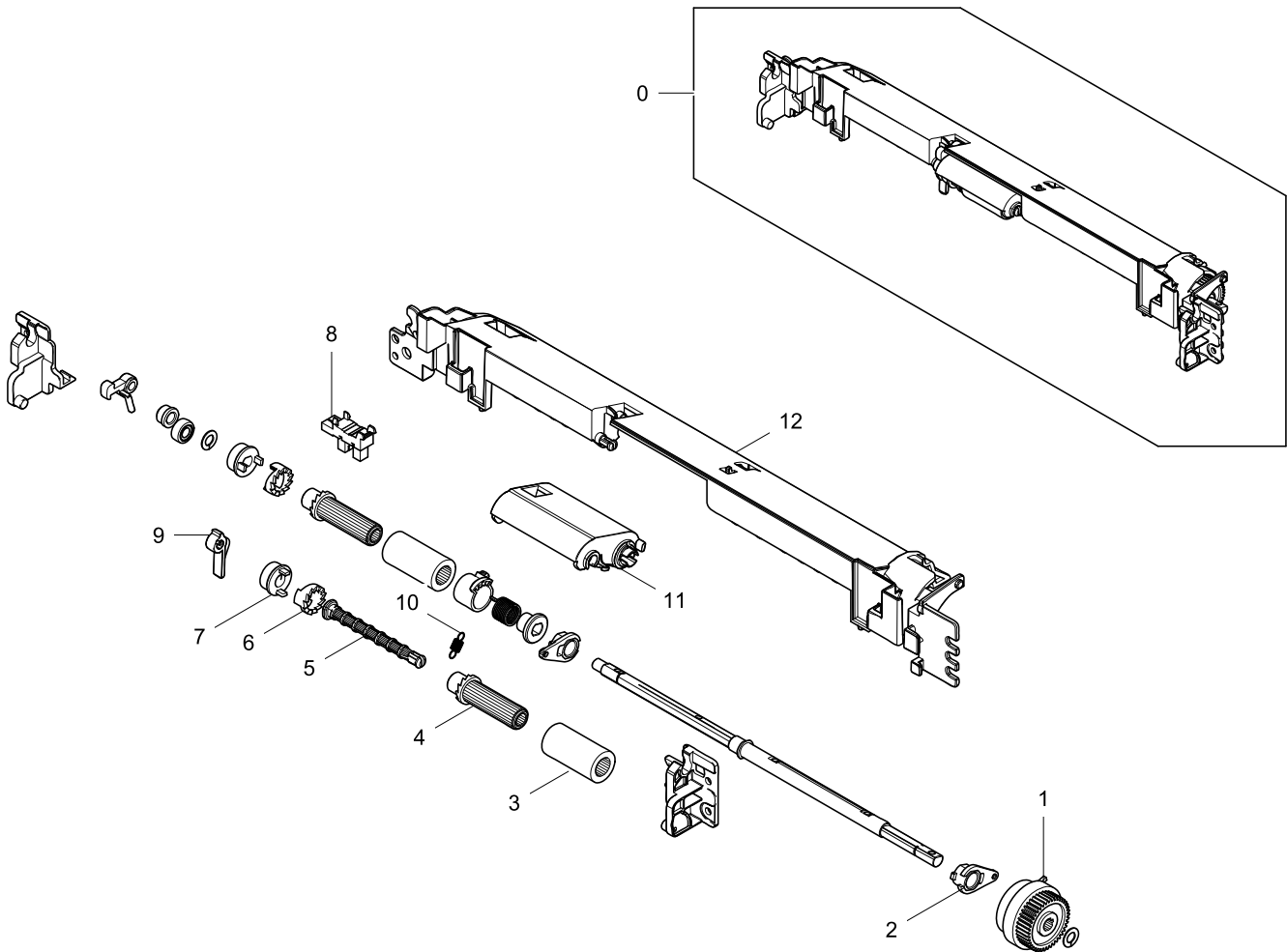
Parts List

No.	Lvl.	Loc.	Material Code	Description & Specification	SNA	Qty.
0	3		JC93-00793A	FRAME-RETARD; CLP-680ND	SA	1
1	4	L9633	0604-001415	PHOTO-INTERRUPTER; TR,DIP-4,BK	SA	1
2	4		JC61-05441A	FRAME-RETARD; CLP-680ND,ABS+GF,GR-4020L,2	SNA	1
3	4		JC93-00760A	DRIVE-GEAR KNOCK UP; CLP-680ND	SNA	1
4	4		JC66-03590A	CAM-KNOCK UP R; CLP-680ND,POM,22	SNA	1
5	4		JC66-03615A	LEVER-KNOCK UP; CLP-680ND,POM,2T,5,60,F20	SNA	2
6	4		JC61-05392A	HOLDER-CAM; CLP-680ND,POM,21.8	SNA	1
7	4		JC61-05540A	PLATE-GUIDE PAPER; CLP-680ND,EGI-SECC,1.0	SNA	1
8	4		JC63-03868A	SHEET-GUIDE; CLP-680ND,PET,0.125,222.5	SA	1
9	4		JC93-00794A	FRAME-RETARD-HOLDER; CLP-680ND	SA	1
9-1	5		JC93-00682A	FRAME-ROLLER RETARD; CLP-680ND	SNA	1
9-2	5		JC61-05389A	FRAME-TRAY MP; CLP-680ND,-,PC+ABS	SNA	1

No.	Lvl.	Loc.	Material Code	Description & Specification	SNA	Qty.
9-3	5		6107-003349	SPRING-CS; SUS,0.4,5,2,5,5.4,11.25,RIGHT,	SA	2
9-4	5		JC61-05442A	FRAME-RETARD COVER; CLP-680ND,ABS+GF,GR-4	SNA	1

8.6. FRAME-PICK UP MP

Exploded View



Parts List

No.	Lvl.	Loc.	Material Code	Description & Specification	SNA	Qty.
0	3		JC93-00795A	FRAME-PICKUP MP; CLP-680ND	SA	1
1	4		JC47-00035A	CLUTCH-ELECTRIC Z41; 2.5,41,0.6,120mA,200	SA	1
2	4	I7270	JC61-02260A	HOLDER-SHAFT; CLX-6200FX,POM	SNA	2
3	4	F9180	JC73-00295A	RUBBER-PICK_UP; ML-2851ND,IR	SA	2
4	4	G0798	JC61-02808A	SLEEVE-MP; ML-2855ND,6,41.4,10	SNA	2
5	4	G0313	JC66-02073A	SHAFT-PICK UP SUB; ML-2855ND,ABS,54.2,6,B	SNA	1
6	4	F4568	JB72-00845A	PMO-PICK UP CLUTCH SUB; SCX-1110F,POM,NW-	SA	2
7	4	C3536	JC66-02075A	GEAR-JOINT; ML-2855ND,POM,0.5,23,BLACK,12	SNA	1
8	4	L9633	0604-001415	PHOTO-INTERRUPTER; TR,DIP-4,BK	SA	1
9	4		JC61-04057A	STOPPER-MP; ML-3710ND,POM,5,23.9,WHT	SA	1
10	4		6107-002780	SPRING-ES; SUS304,PI0.24,L11.1,ID3.5,OD4	SA	1

No.	Lvl.	Loc.	Material Code	Description & Specification	SNA	Qty.
11	4		JC61-05528A	HOUSING-PICKUP MP; CLP-680ND,HIPS,17.2,63	SNA	1
12	4		JC61-05446A	GUIDE-UPPER MP; CLP-680ND,ABS+GF,GF20%,GU	SNA	1